

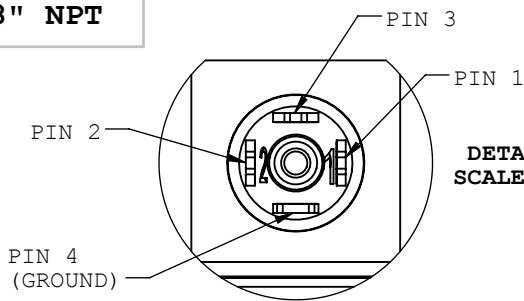
1020 TRANSMITTER SERIES - 1/8" NPT

SHT. 1 of 2 Rev.C
SCALE: 3/4"=1

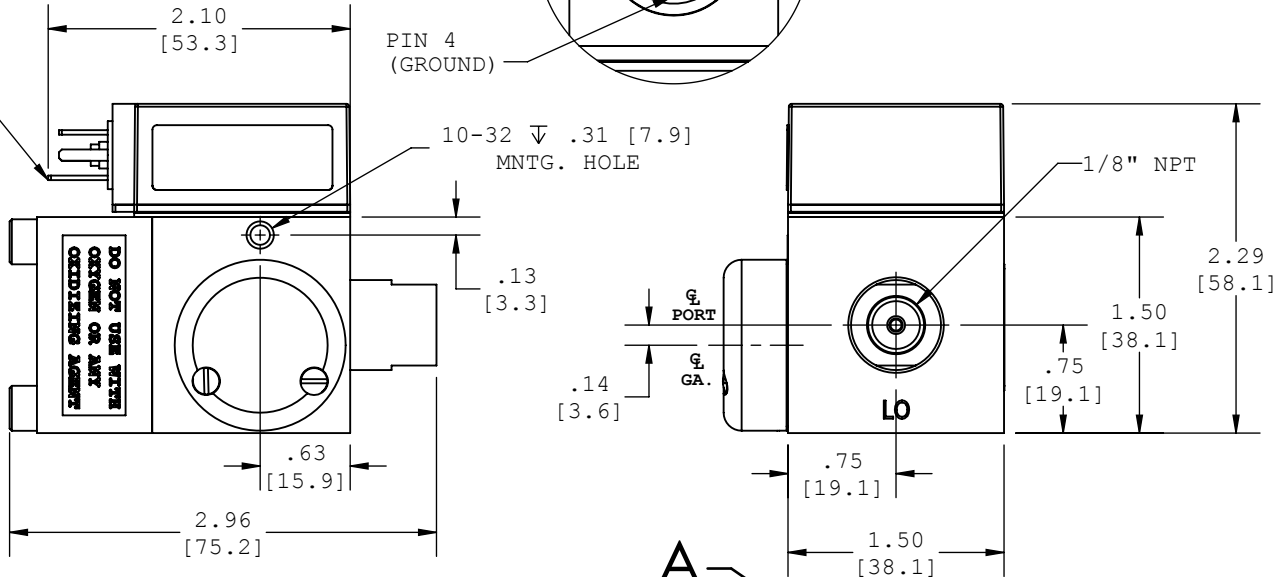
1020DIT-1A-1M-T(3 or 4)

MATING CONNECTOR INCLUDED

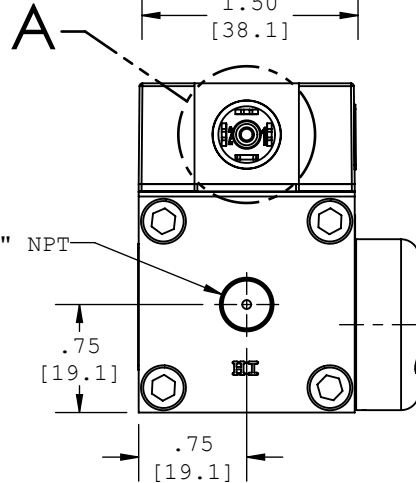
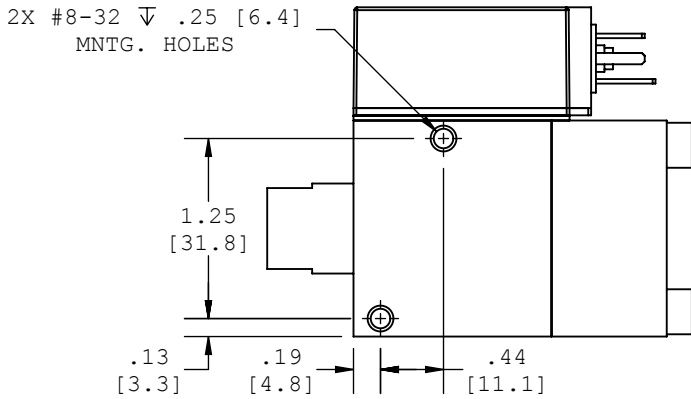
DIN CONNECTOR
43650 FORM C
8MM



DETAIL A
SCALE 6 : 4

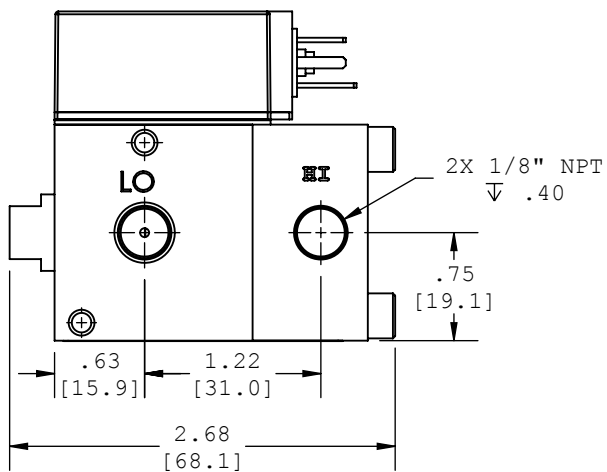


BACK VIEW



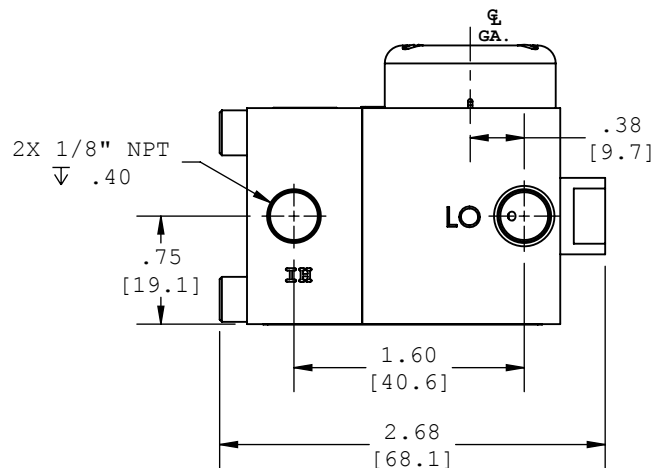
1020DIT-4A-1M-T(3 or 4)

BACK VIEW



1020DIT-5A-1M-T(3 or 4)

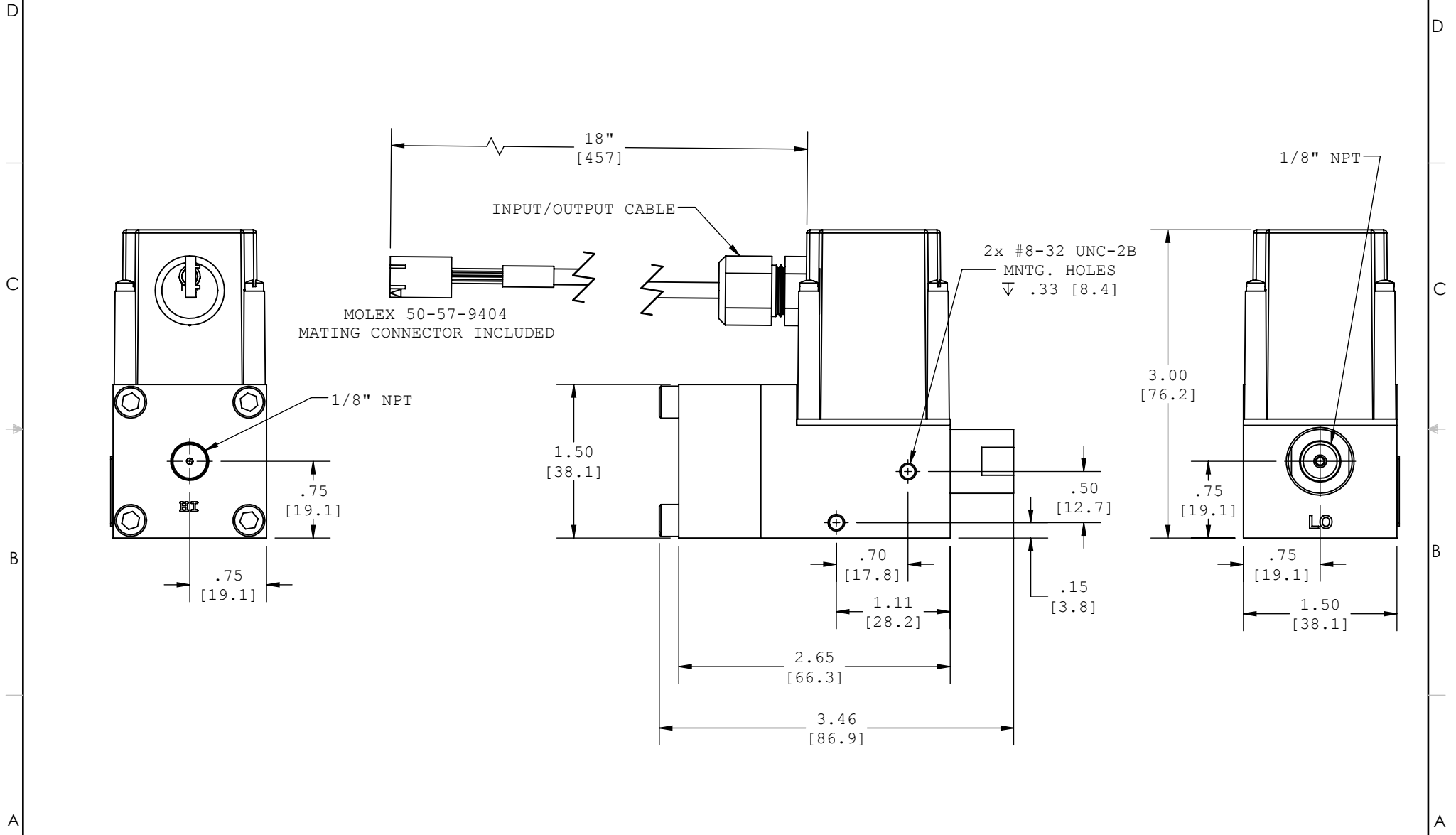
BOTTOM VIEW



1020 TRANSMITTER SERIES - 1/8" NPT

1020DT-1A-T(5 or 6)

SHT. 1 of 1 Rev.C
SCALE: 3/4"=1



NOTE: DIMENSIONS IN BRACKETS ARE IN MILLIMETERS