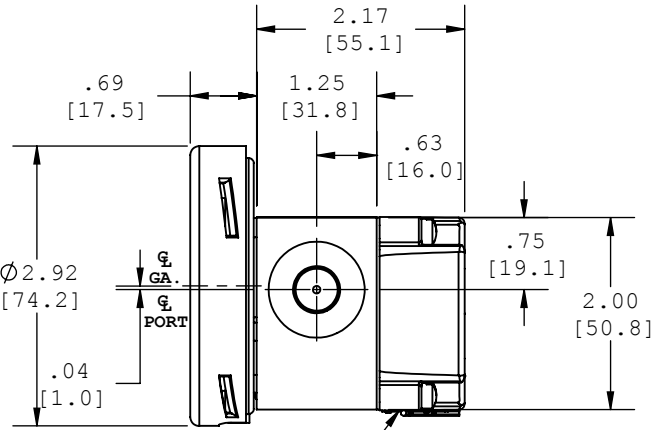
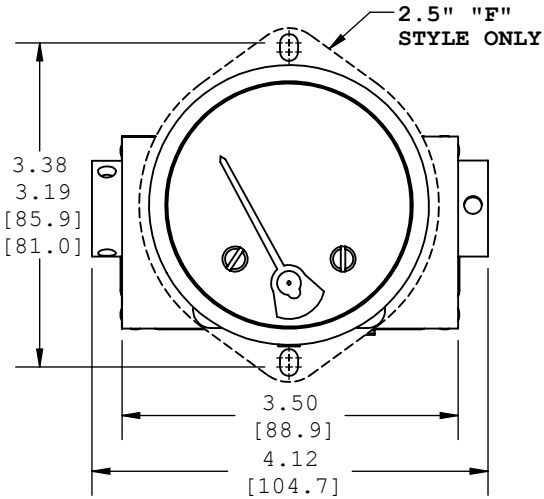


1203PGS-1 MODEL

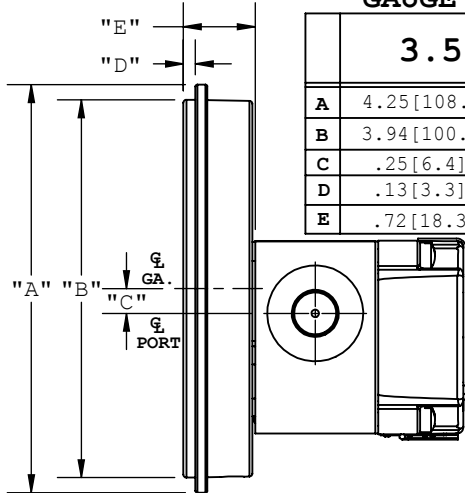
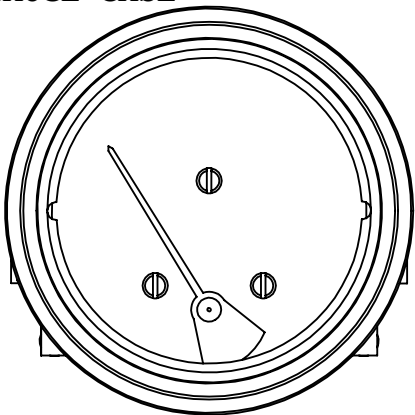
2.5" B & F-STYLE GAUGE CASE



*NOTE: 1201PG-1 UNITS DO NOT INCLUDE SWITCH ENCLOSURE

1203PGS-1 MODEL

"B"-STYLE GAUGE CASE



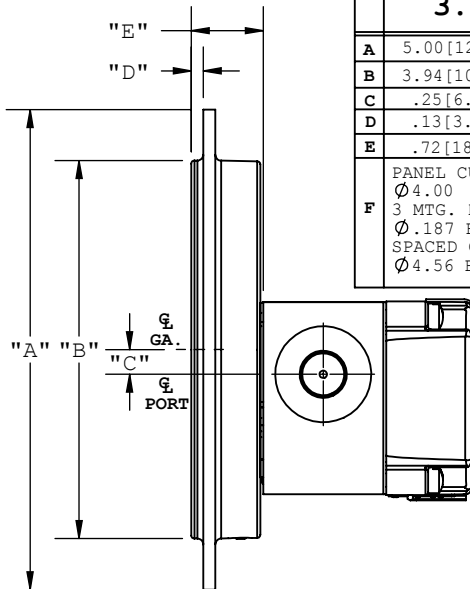
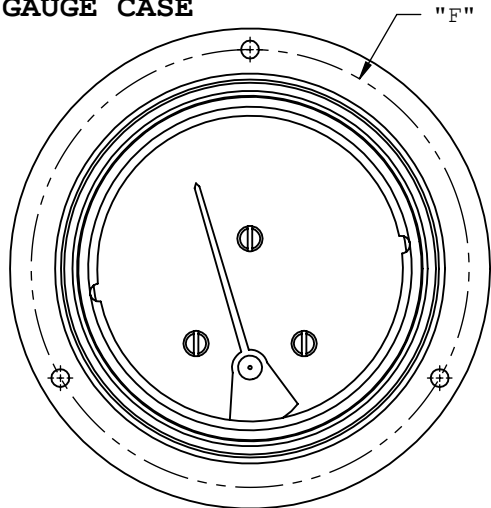
GAUGE CASE SIZES & DIMENSIONS

	3.5"	4.5"	6.0"
A	4.25 [108.0]	5.25 [133.4]	6.68 [169.7]
B	3.94 [100.1]	4.94 [125.5]	6.44 [163.6]
C	.25 [6.4]	.62 [15.7]	1.35 [34.3]
D	.13 [3.3]	.13 [3.3]	.13 [3.3]
E	.72 [18.3]	.72 [18.3]	.75 [19.1]

*NOTE: 1201PG-1 UNITS DO NOT INCLUDE SWITCH ENCLOSURE

1203PGS-1 MODEL

"F"-STYLE GAUGE CASE



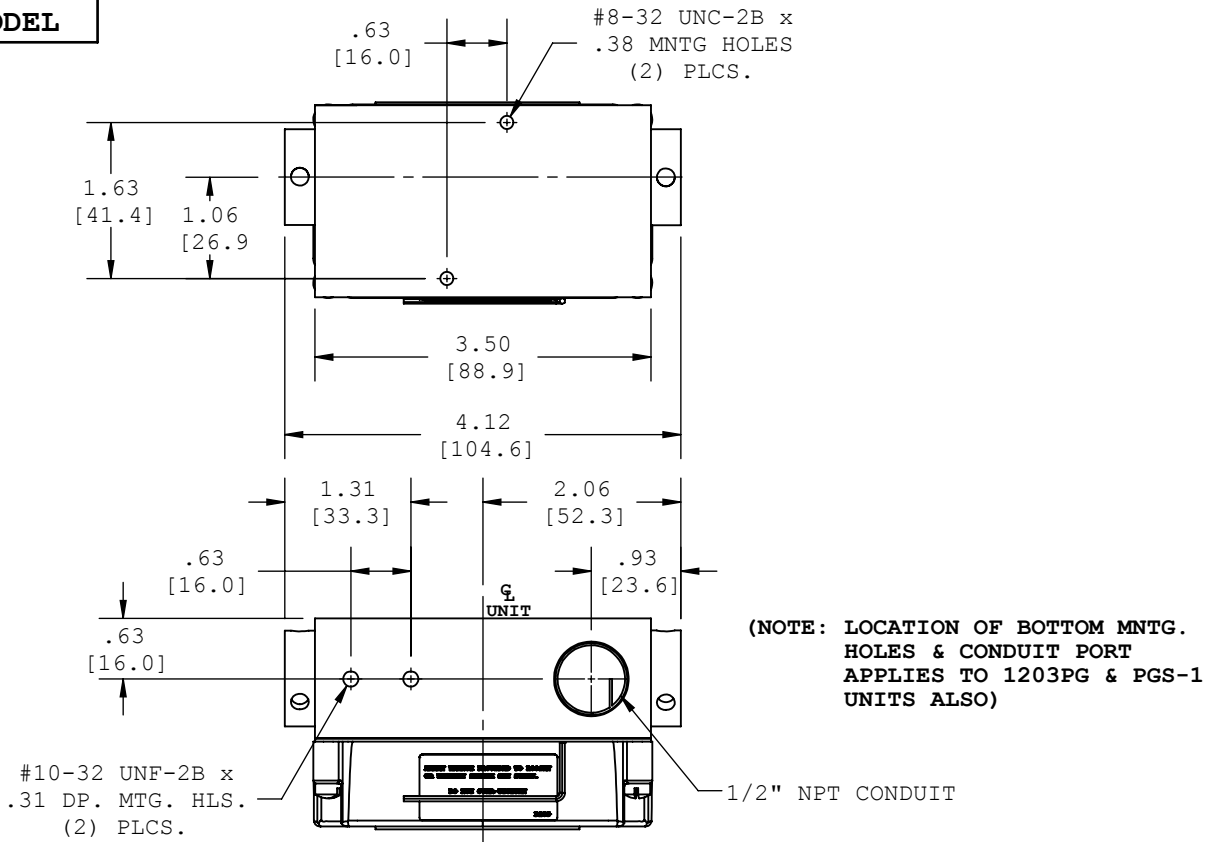
GAUGE CASE SIZES & DIMENSIONS

	3.5"	4.5"	6.0"
A	5.00 [127.0]	6.00 [152.4]	7.62 [193.5]
B	3.94 [100.1]	4.94 [125.5]	6.44 [163.6]
C	.25 [6.4]	.62 [15.7]	1.35 [34.3]
D	.13 [3.3]	.13 [3.3]	.13 [3.3]
E	.72 [18.3]	.72 [18.3]	.75 [19.1]
F	PANEL CUTOUT: Ø4.00 3 MTG. HOLES Ø.187 EQUALLY SPACED ON A Ø4.56 B.C.	PANEL CUTOUT: Ø5.00 3 MTG. HOLES Ø.218 EQUALLY SPACED ON A Ø5.38 B.C.	PANEL CUTOUT: Ø6.50 3 MTG. HOLES Ø.218 EQUALLY SPACED ON A Ø7.00 B.C.

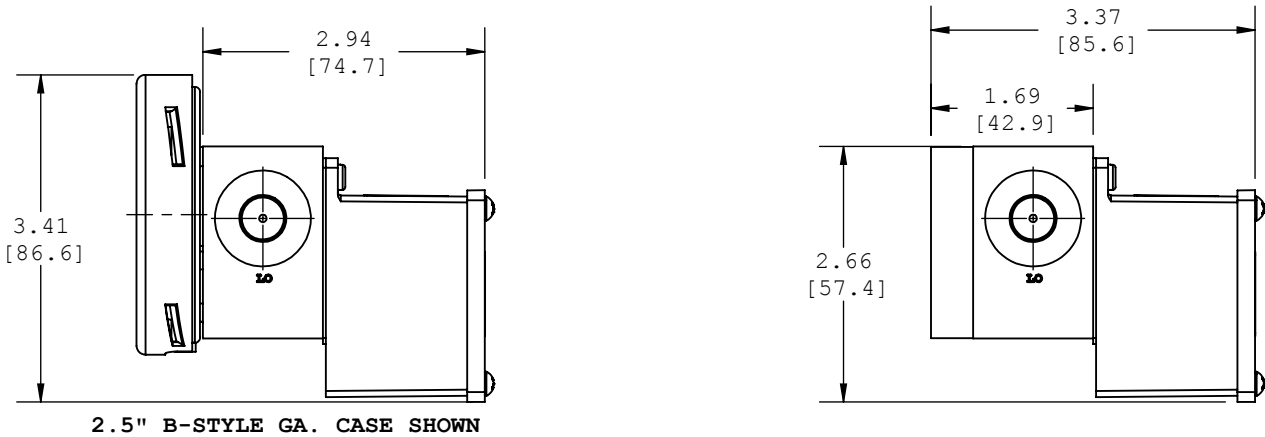
*NOTE: 1201PG-1 UNITS DO NOT INCLUDE SWITCH ENCLOSURE

1203PG-1, PGS-1, PS-1, PGT-T2 & PT-T2 MODELS

1203PS-1 MODEL



1203PGT-T2 & 1203PT-T2 SIDE VIEWS



1203PGT-T2 & 1203PT-T2 BOTTOM MOUNTING

