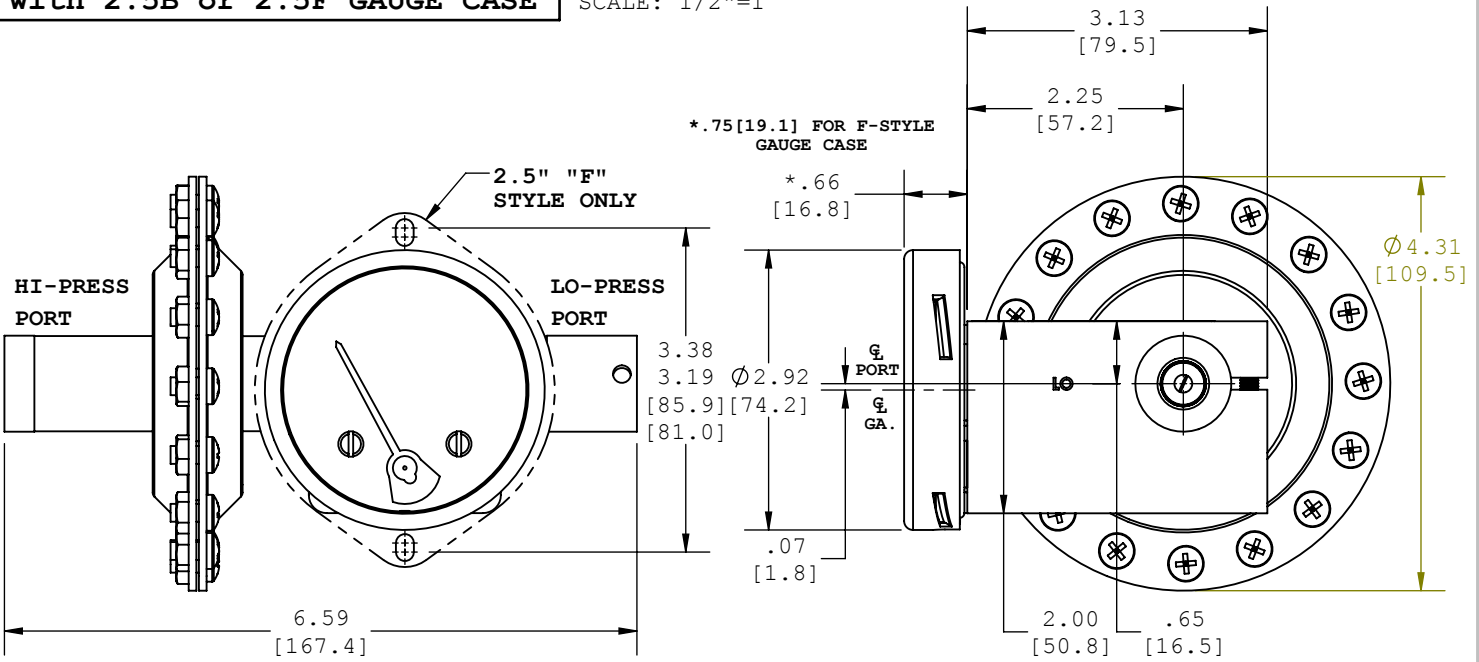


MODEL 1835DG-1C-() () (1/4" NPT)

with 2.5B or 2.5F GAUGE CASE

SCALE: 1/2"=1

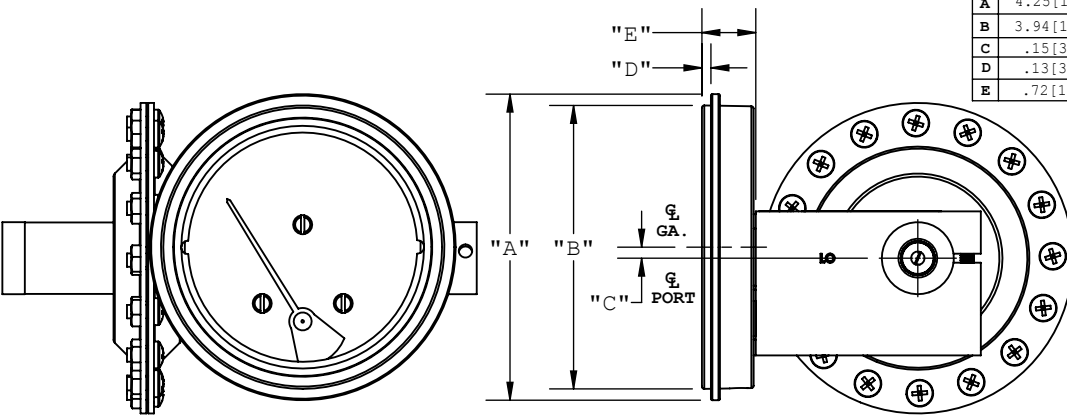


with B-STYLE GAUGE CASE

SCALE: 3/8"=1

GAUGE CASE SIZES & DIMENSIONS

	3.5"	4.5"	6.0"
A	4.25[108.0]	5.25[133.4]	6.40[162.6]
B	3.94[100.1]	4.94[125.5]	5.89[149.6]
C	.15[3.8]	.53[17.1]	1.25[31.8]
D	.13[3.3]	.13[3.3]	.39[9.9]
E	.72[18.3]	.72[18.3]	.85[21.6]



with F-STYLE GAUGE CASE

SCALE: 3/8"=1

GAUGE CASE SIZES & DIMENSIONS

	3.5"	4.5"	6.0"
A	5.00[127.0]	6.00[152.4]	7.62[193.5]
B	3.94[100.1]	4.94[125.5]	6.40[162.6]
C	.15[3.8]	.53[7.1]	1.25[31.8]
D	.13[3.3]	.13[3.3]	.39[9.9]
E	.72[18.3]	.72[18.3]	.85[21.6]
F	PANEL CUTOUT: Ø 4.00 3 MTG. HOLES Ø .187 EQUALLY SPACED ON A Ø 4.56 B.C.	PANEL CUTOUT: Ø 5.00 3 MTG. HOLES Ø .218 EQUALLY SPACED ON A Ø 5.38 B.C.	PANEL CUTOUT: Ø 6.50 3 MTG. HOLES Ø .218 EQUALLY SPACED ON A Ø 7.00 B.C.

