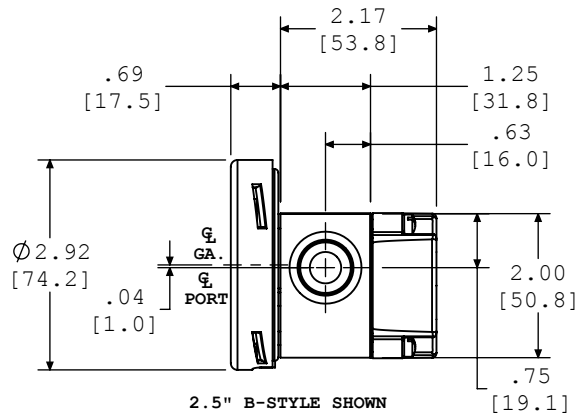
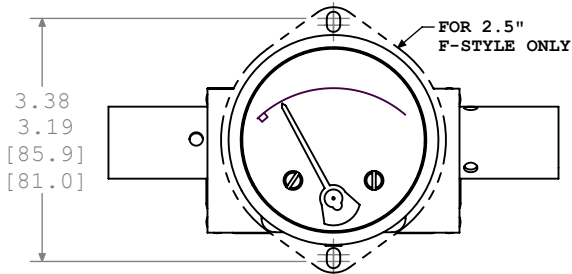


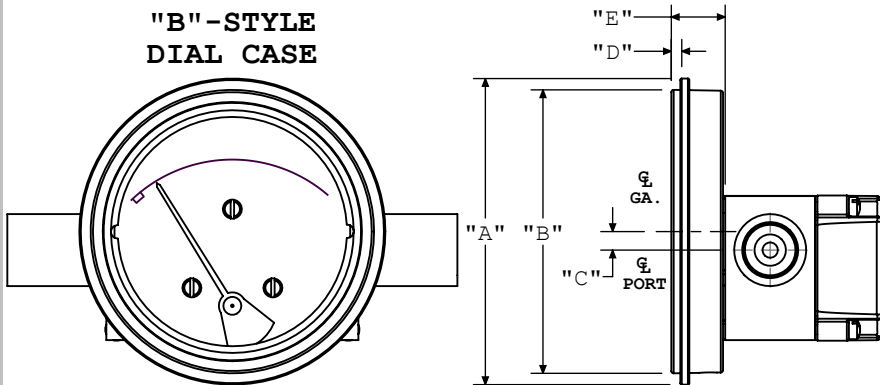
DIAL CASE STYLES

2.5" "B" & 2.5" "F" STYLE DIAL CASE



2.5" B-STYLE SHOWN

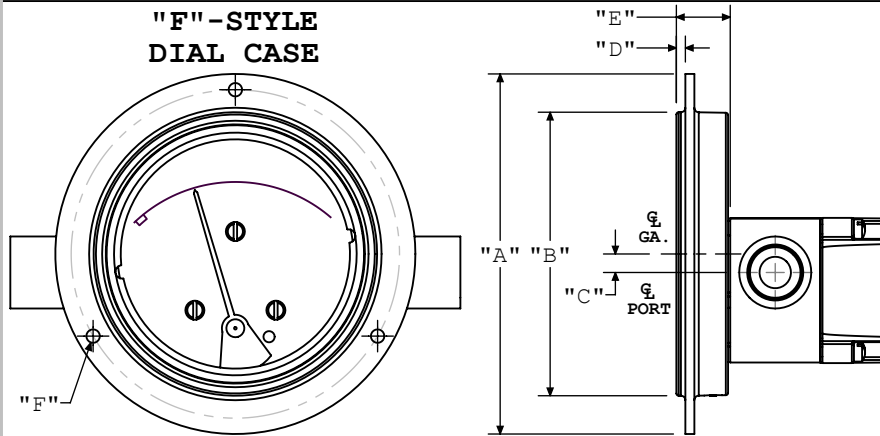
"B"-STYLE DIAL CASE



B-STYLE GA. CASE DIMENSIONS

	3 1/2"	4 1/2"	6.0"
A	4.25 [108]	5.25 [133.4]	6.68 [169.7]
B	3.94 [100.1]	4.94 [125.5]	6.44 [163.6]
C	.25 [6.4]	.62 [15.7]	1.35 [34.3]
D	.13 [3.3]	.13 [3.3]	.13 [3.3]
E	.72 [18.3]	.72 [18.3]	.75 [19.1]

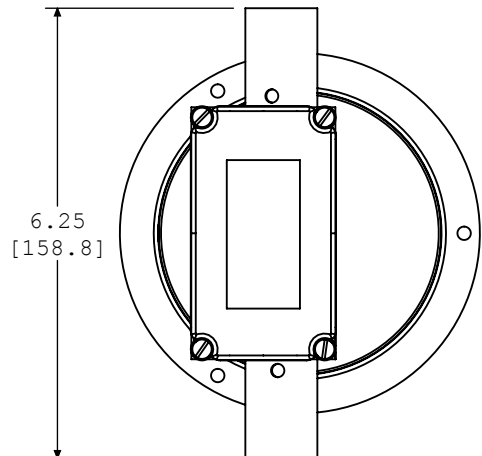
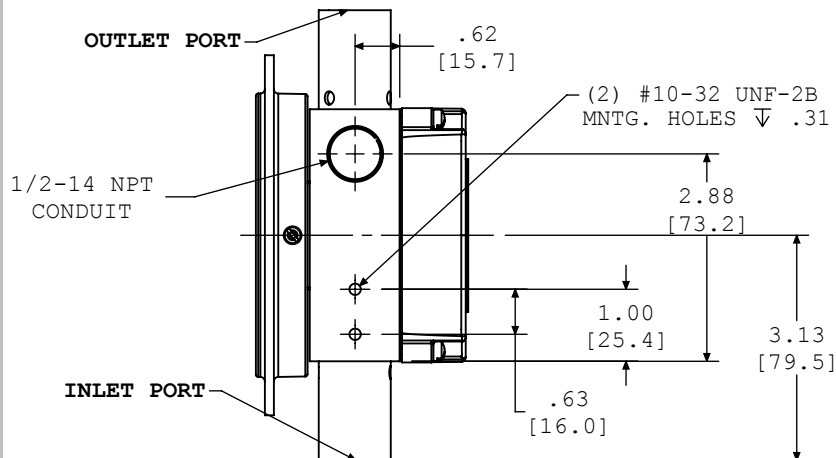
"F"-STYLE DIAL CASE

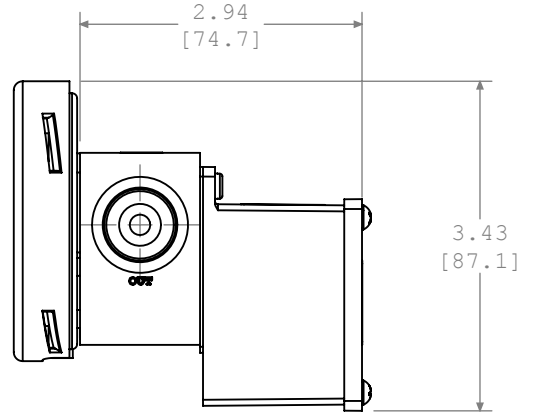
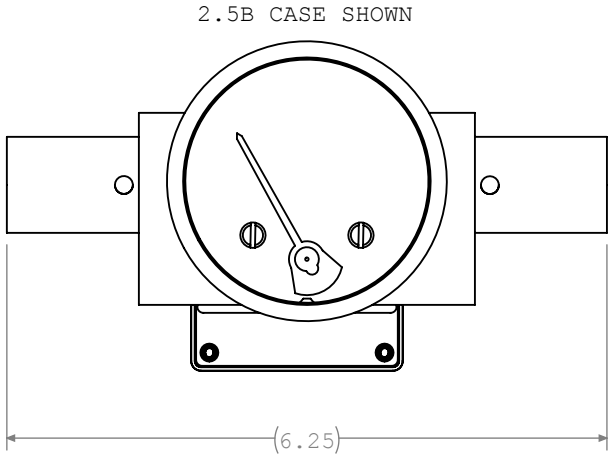


F-STYLE GA. CASE DIMENSIONS

	3 1/2"	4 1/2"	6.0"
A	5.00 [127]	6.00 [152.4]	6.68 [169.7]
B	3.94 [100.1]	4.94 [125.5]	6.44 [163.6]
C	.25 [6.4]	.62 [15.7]	1.35 [34.3]
D	.13 [3.3]	.13 [3.3]	.13 [3.3]
E	.72 [8.3]	.72 [8.3]	.75 [19.1]
F	PANEL CUTOUT: Ø4.00, 3 MNTG. HOLES Ø.187 EQUALLY SPACED ON A Ø4.56 B.C.	PANEL CUTOUT: Ø5.00, 3 MNTG. HOLES Ø.187 EQUALLY SPACED ON A Ø5.38 B.C.	PANEL CUTOUT: Ø6.50, 3 MNTG. HOLES Ø.187 EQUALLY SPACED ON A Ø7.00 B.C.

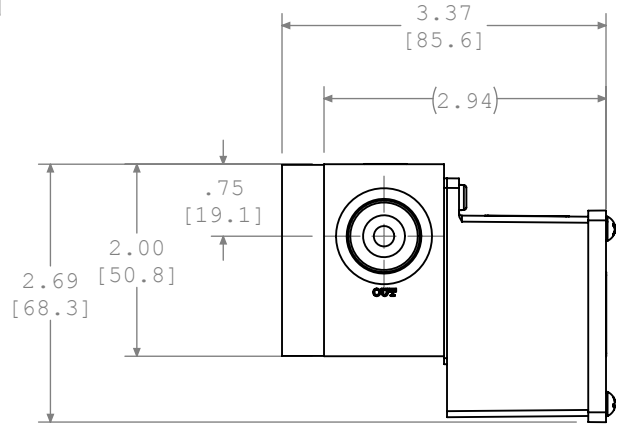
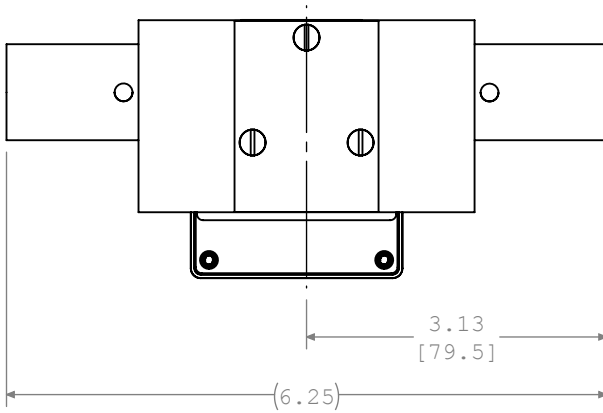
PORTING LOCATIONS



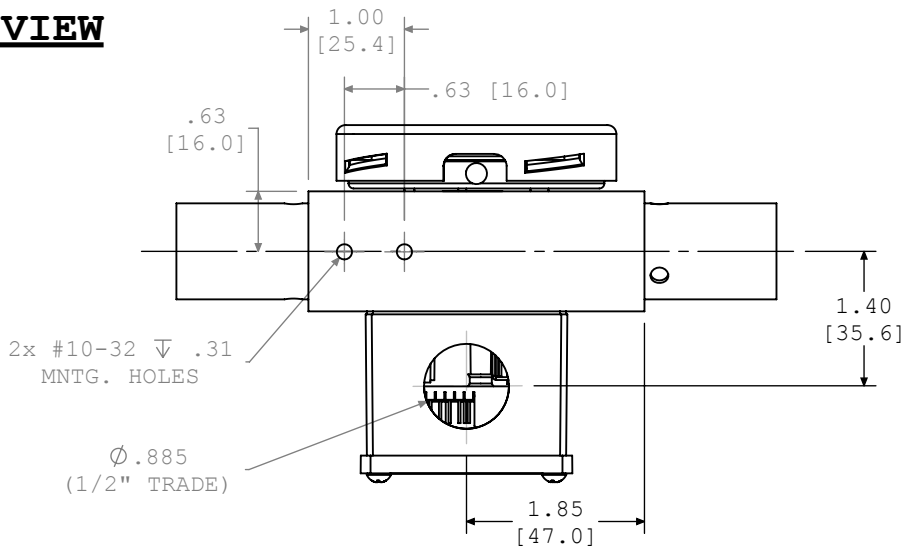


SEE SHEET 1 FOR DIAL CASE STYLES AND DIMENSIONS.

MODEL 2323FT-1 () -T2 MODEL - (1/2" NPT)



BOTTOM VIEW



2323FGT-1 () -2.5B-T2 SHOWN