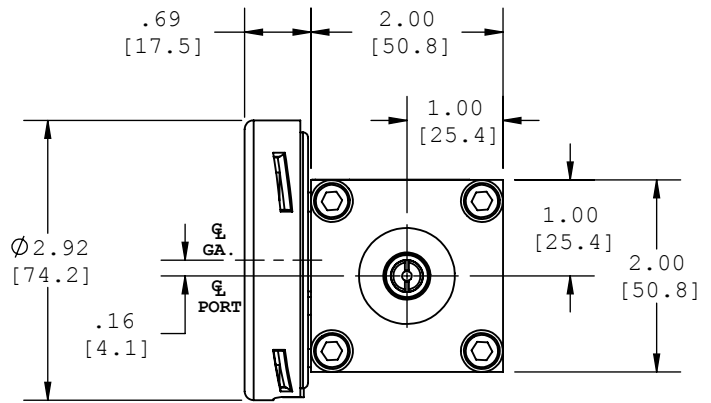
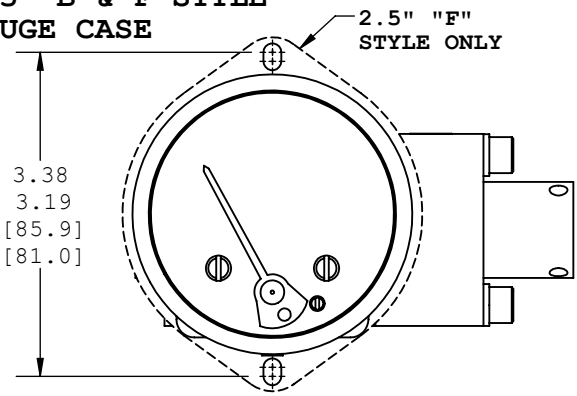


1516DG-1, DG-4, DG-5, DGS-1, DGS-4, DGS-5, DS-1 & DGT-T2 MODELS

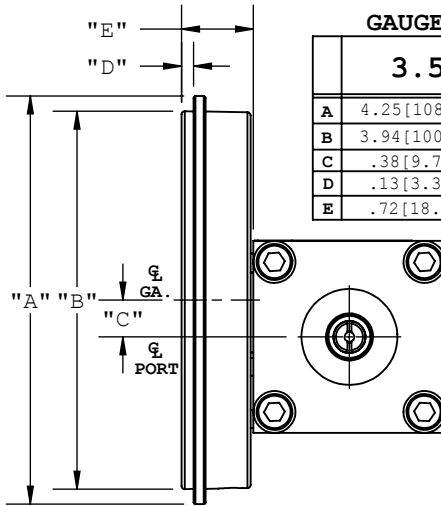
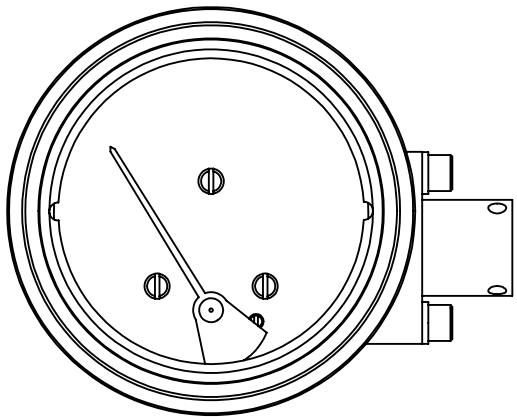
1516DG-1, -4, -5 MODEL

2.5" B & F-STYLE GAUGE CASE



1516DG-1, -4, -5 MODEL

"B"-STYLE GAUGE CASE

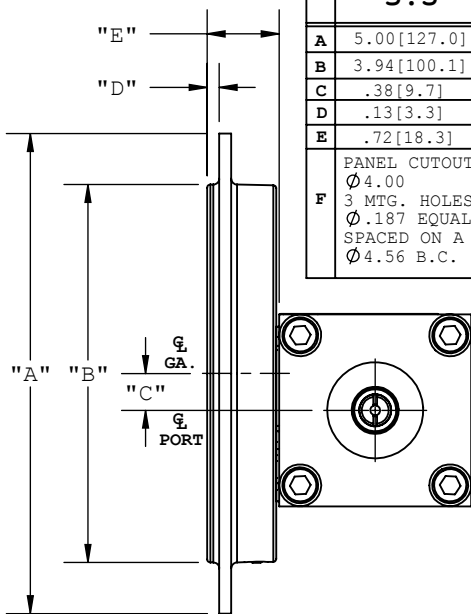
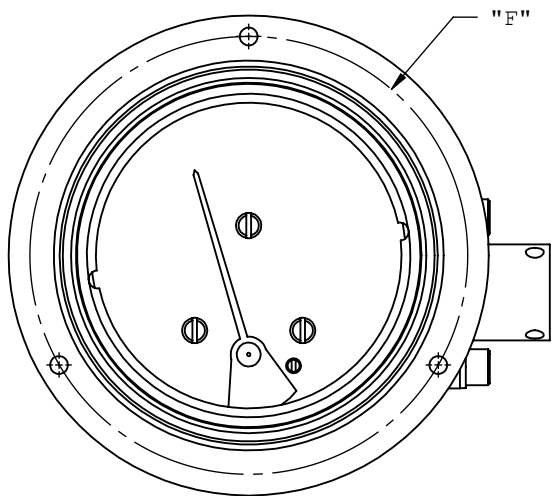


GAUGE CASE SIZES & DIMENSIONS

	3.5"	4.5"	6.0"
A	4.25[108.0]	5.25[133.4]	6.68[169.7]
B	3.94[100.1]	4.94[125.5]	6.44[163.6]
C	.38[9.7]	.75[19.1]	1.48[37.6]
D	.13[3.3]	.13[3.3]	.13[3.3]
E	.72[18.3]	.72[18.3]	.75[19.1]

1516DG-1, -4, -5 MODEL

"F"-STYLE GAUGE CASE

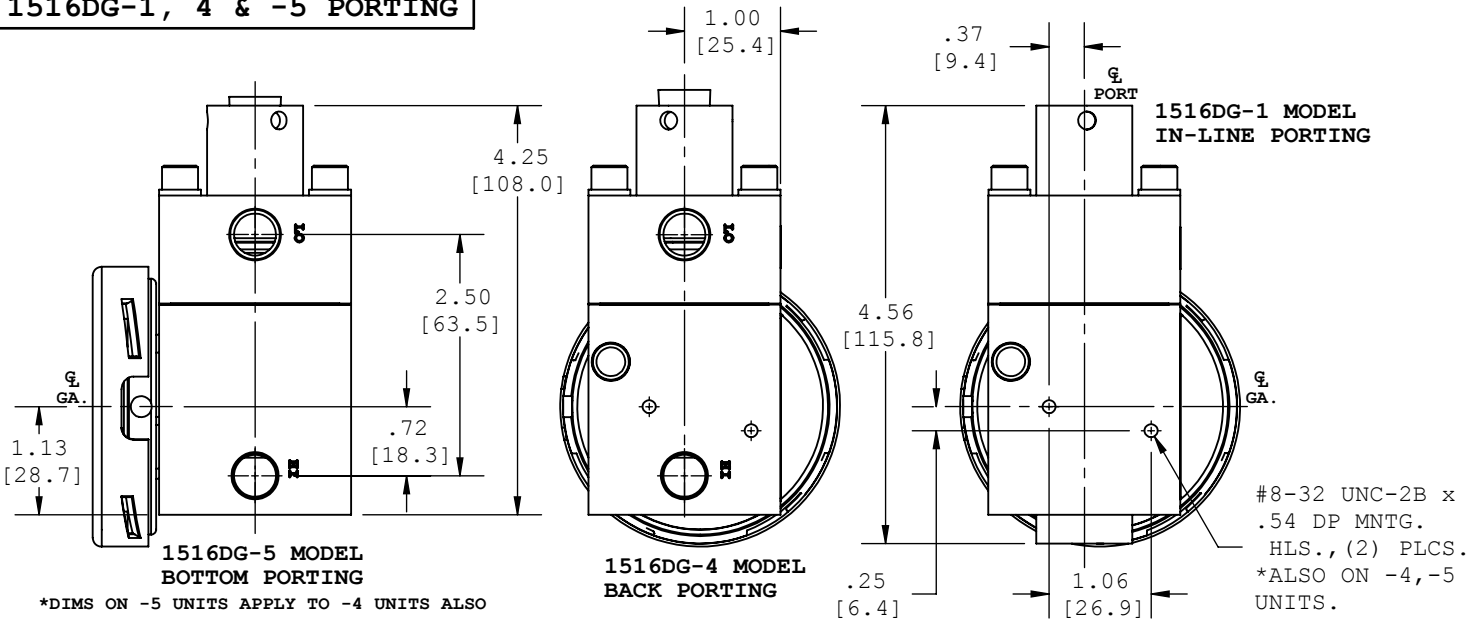


GAUGE CASE SIZES & DIMENSIONS

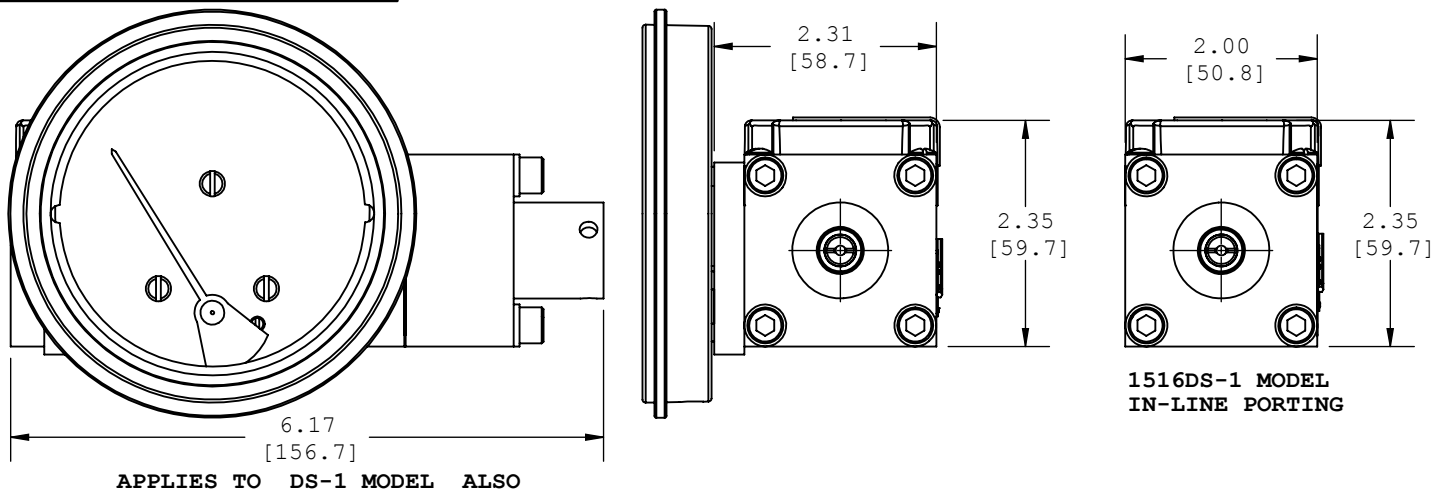
	3.5"	4.5"	6.0"
A	5.00[127.0]	6.00[152.4]	7.62[193.5]
B	3.94[100.1]	4.94[125.5]	6.44[163.6]
C	.38[9.7]	.75[19.1]	1.48[37.6]
D	.13[3.3]	.13[3.3]	.13[3.3]
E	.72[18.3]	.72[18.3]	.75[19.1]
F	PANEL CUTOUT: Ø 4.00 3 MTG. HOLES Ø .187 EQUALLY SPACED ON A Ø 4.56 B.C.	PANEL CUTOUT: Ø 5.00 3 MTG. HOLES Ø .218 EQUALLY SPACED ON A Ø 5.38 B.C.	PANEL CUTOUT: Ø 6.50 3 MTG. HOLES Ø .218 EQUALLY SPACED ON A Ø 7.00 B.C.

1516DG-1, DG-4, DG-5, DGS-1, DGS-4, DGS-5, DS-1 & DGT-T2 MODELS

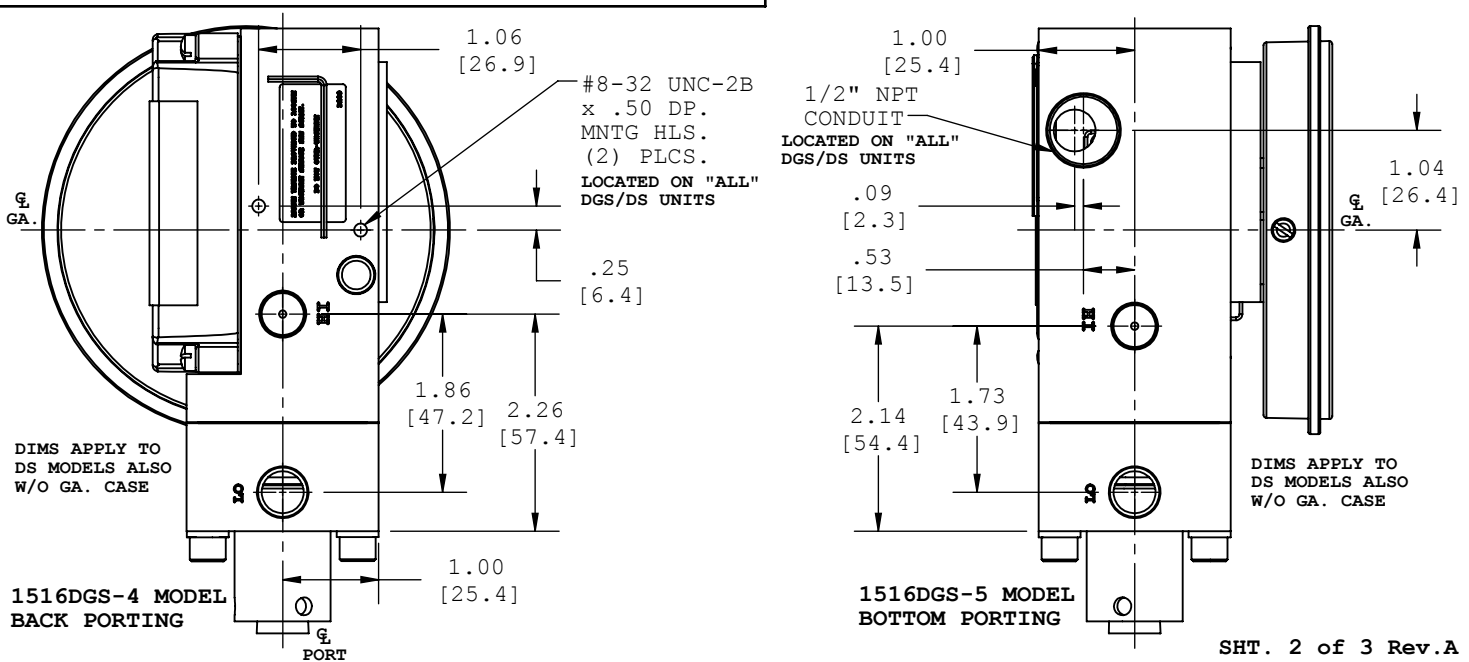
1516DG-1, 4 & -5 PORTING



1516DGS-1 & DS-1 MODEL



1516DGS-1, -4, -5 & 1516DS-1, -4, -5 PORTING



1516DGT-T2 MODEL

2.5" B-STYLE GA. CASE SHOWN

