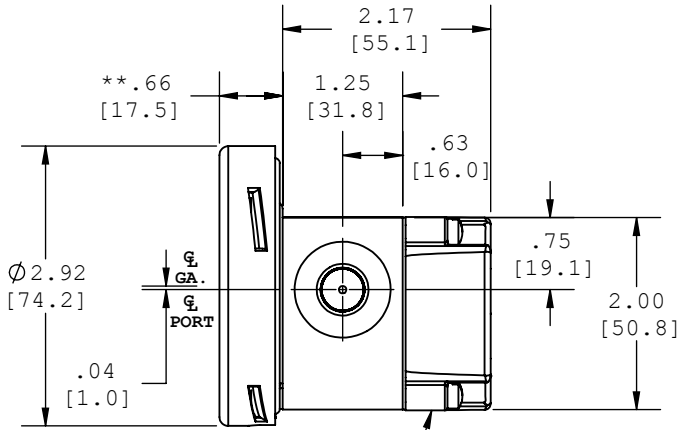
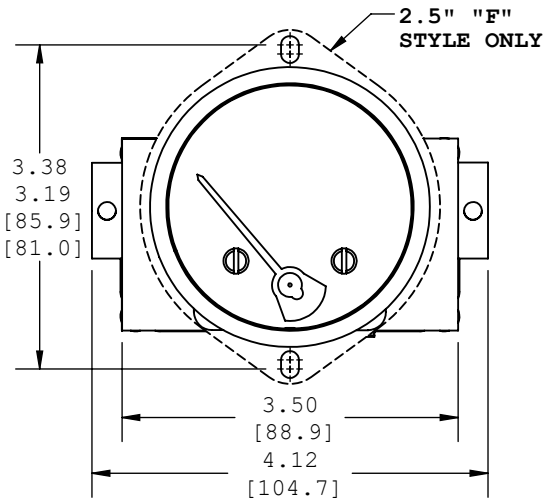


1203PGS-1 MODEL

** .75[19.1] FOR F-STYLE CASE

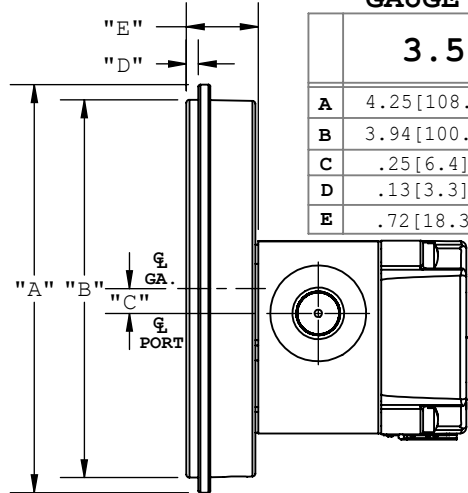
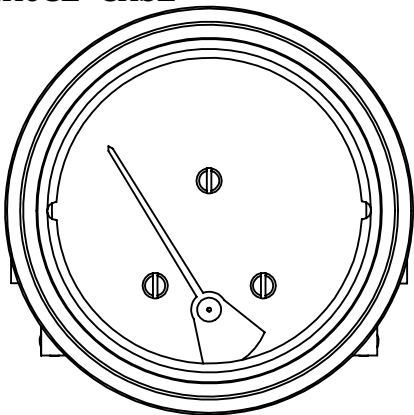
2.5" B & F-STYLE GAUGE CASE



NOTE: 1203PGS SHOWN.
(DISREGARD SWITCH ENCLOSURE FOR 1203PG UNITS)

1203PGS-1 MODEL

"B"-STYLE GAUGE CASE



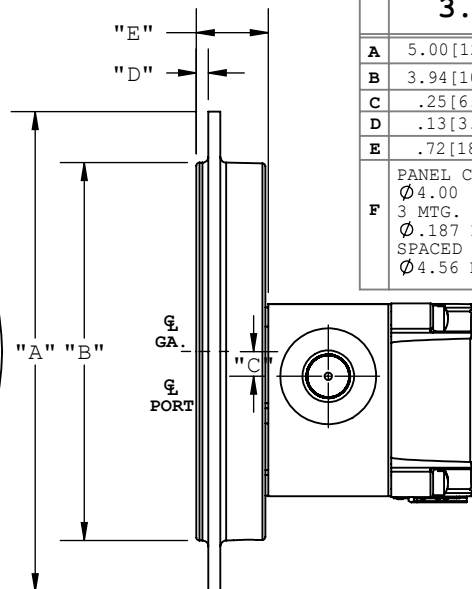
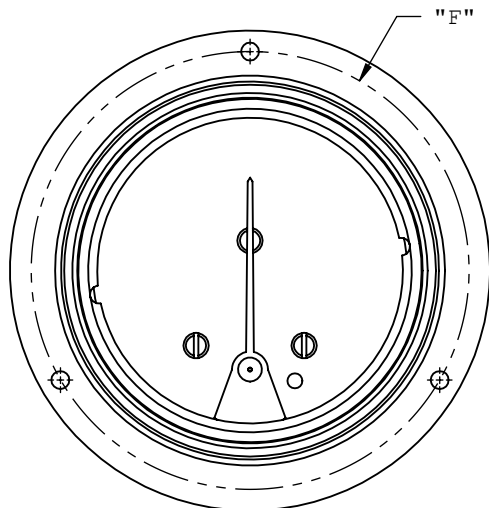
GAUGE CASE SIZES & DIMENSIONS

	3.5"	4.5"	6.0"
A	4.25[108.0]	5.25[133.4]	6.68[169.7]
B	3.94[100.1]	4.94[125.5]	6.44[163.6]
C	.25[6.4]	.62[15.7]	1.35[34.3]
D	.13[3.3]	.13[3.3]	.13[3.3]
E	.72[18.3]	.72[18.3]	.75[19.1]

NOTE: 1203PGS SHOWN.
(DISREGARD SWITCH ENCLOSURE FOR 1203PG UNITS)

1203PGS-1 MODEL

"F"-STYLE GAUGE CASE



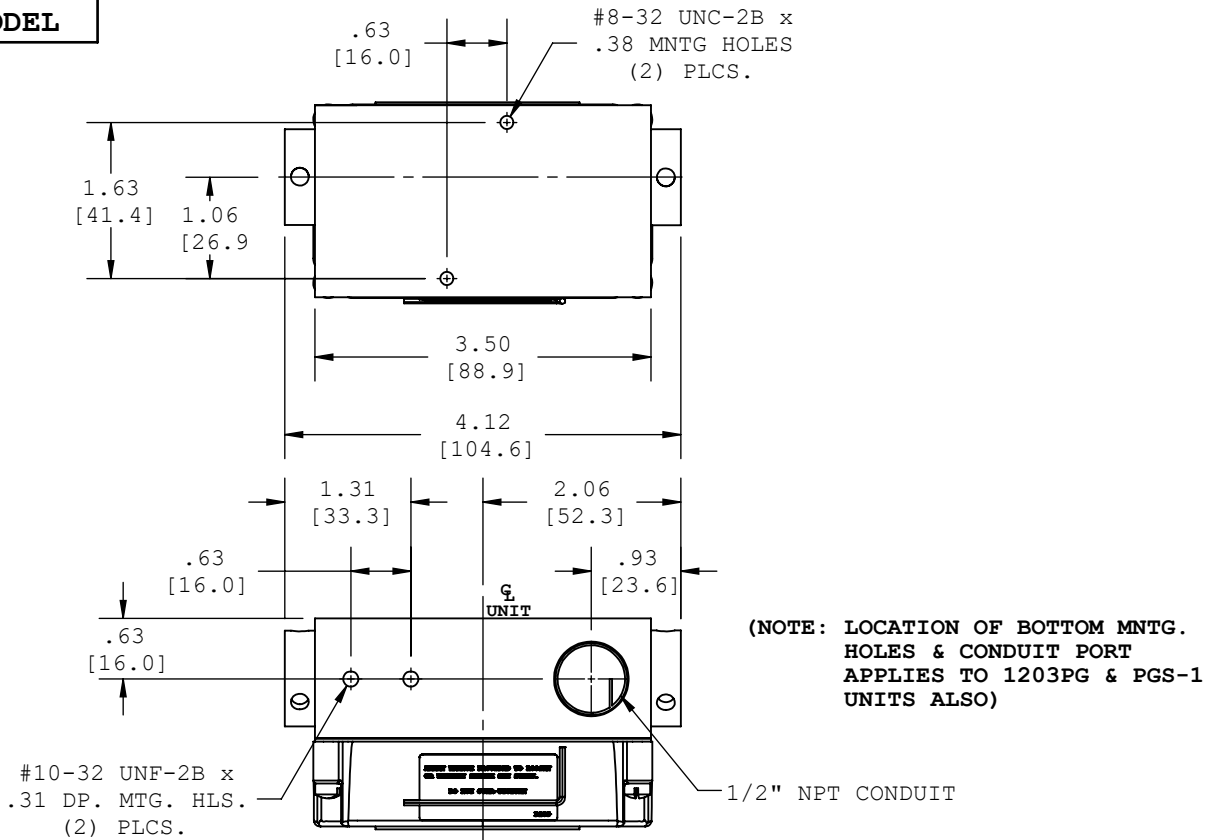
GAUGE CASE SIZES & DIMENSIONS

	3.5"	4.5"	6.0"
A	5.00[127.0]	6.00[152.4]	7.62[193.5]
B	3.94[100.1]	4.94[125.5]	6.44[163.6]
C	.25[6.4]	.62[15.7]	1.35[34.3]
D	.13[3.3]	.13[3.3]	.13[3.3]
E	.72[18.3]	.72[18.3]	.75[19.1]
F	PANEL CUTOUT: Ø 4.00 3 MTG. HOLES Ø .187 EQUALLY SPACED ON A Ø 4.56 B.C.	PANEL CUTOUT: Ø 5.00 3 MTG. HOLES Ø .218 EQUALLY SPACED ON A Ø 5.38 B.C.	PANEL CUTOUT: Ø 6.50 3 MTG. HOLES Ø .218 EQUALLY SPACED ON A Ø 7.00 B.C.

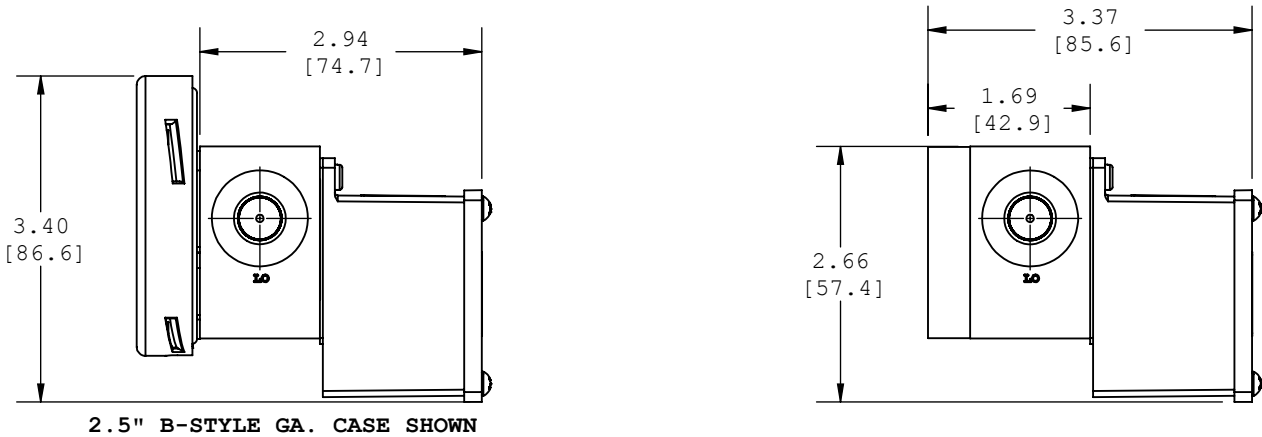
NOTE: 1203PGS SHOWN.
(DISREGARD SWITCH ENCLOSURE FOR 1203PG UNITS)

1203PG-1, PGS-1, PS-1, PGT-T2 & PT-T2 MODELS

1203PS-1 MODEL



1203PGT-T2 & 1203PT-T2 SIDE VIEWS



1203PGT-T2 & 1203PT-T2 BOTTOM MOUNTING

