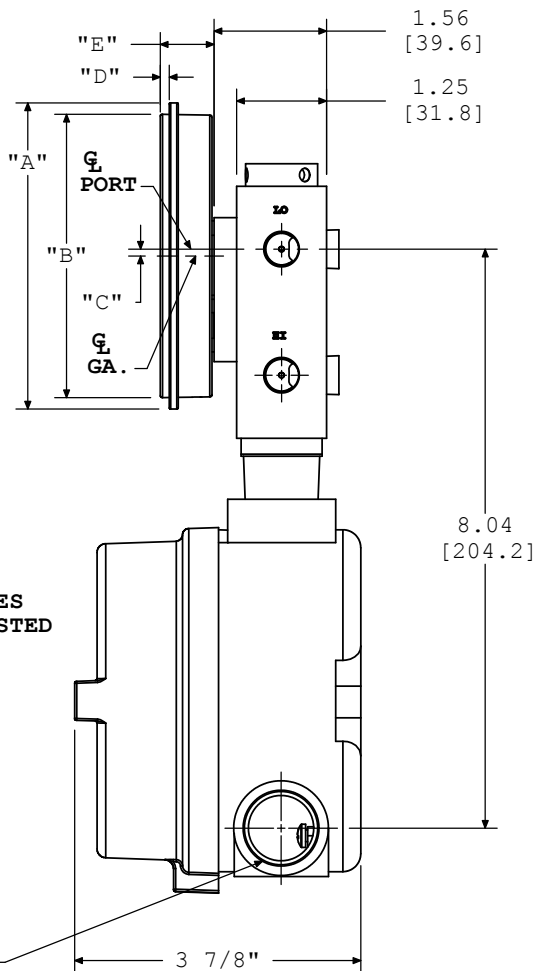
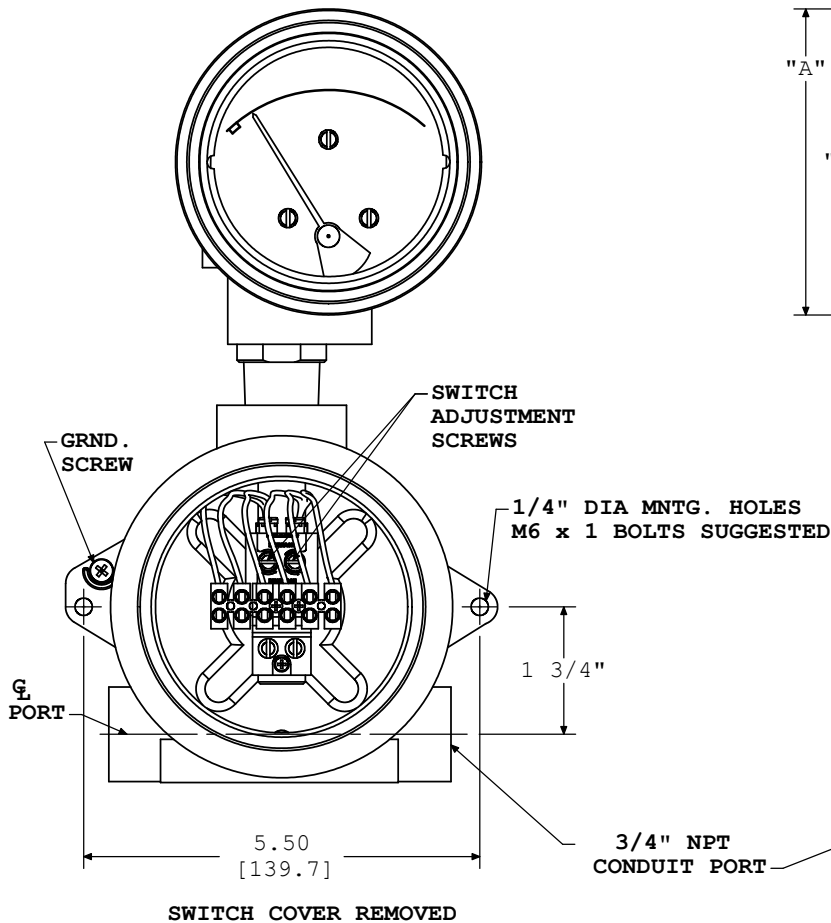


DIAL CASE STYLES

**"B"-STYLE
DIAL CASE**



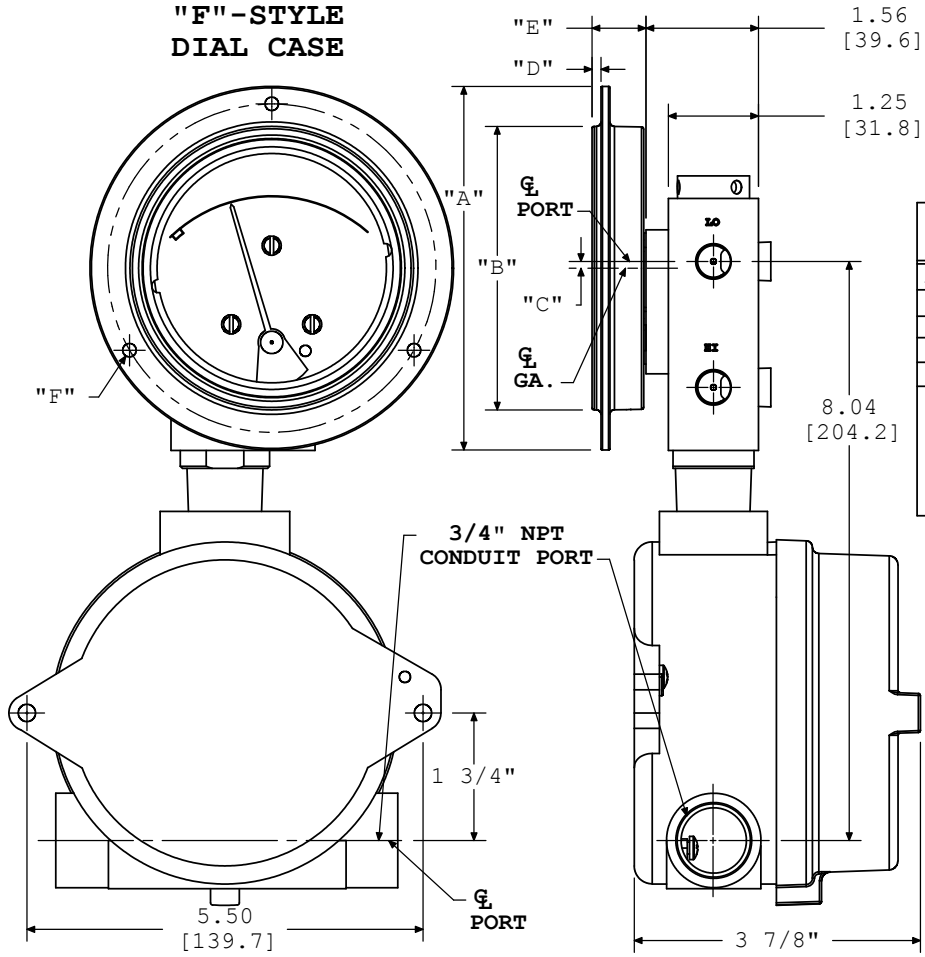
**"B"-STYLE
DIAL CASE SIZES & DIMENSIONS**

	3.5"	4.5"	6.0"
A	4.25 [108.0]	5.25 [133.4]	6.68 [169.7]
B	3.94 [100.1]	4.94 [125.5]	6.44 [163.6]
C	*.094 [23.9]	.28 [7.1]	1.00 [25.4]
D	.13 [3.3]	.13 [3.3]	.13 [3.3]
E	.72 [18.3]	.72 [18.3]	.75 [19.1]

*⊕ OF GA. FALLS BELOW ⊕ OF PORT

MODEL 1204PGS DIAL CASE DIMENSIONS

**"F"-STYLE
DIAL CASE**



**"F"-STYLE
DIAL CASE SIZES & DIMENSIONS**

	3.5"	4.5"	6.0"
A	5.00[127.0]	6.00[152.4]	7.62[193.5]
B	3.94[100.1]	4.94[125.5]	6.44[163.6]
C	*.094[2.9]	.28[7.1]	1.00[25.4]
D	.13[3.3]	.13[3.3]	.13[3.3]
E	.72[18.3]	.72[18.3]	.75[19.1]
F	PANEL CUTOUT: Ø4.00 3 MTG. HOLES Ø.187 EQUALLY SPACED ON A Ø4.56 B.C.	PANEL CUTOUT: Ø5.00 3 MTG. HOLES Ø.218 EQUALLY SPACED ON A Ø5.38 B.C.	PANEL CUTOUT: Ø6.50 3 MTG. HOLES Ø.218 EQUALLY SPACED ON A Ø7.00 B.C.

* \bar{C} OF GA. FALLS BELOW \bar{C} OF PORT

PORTING LOCATIONS

