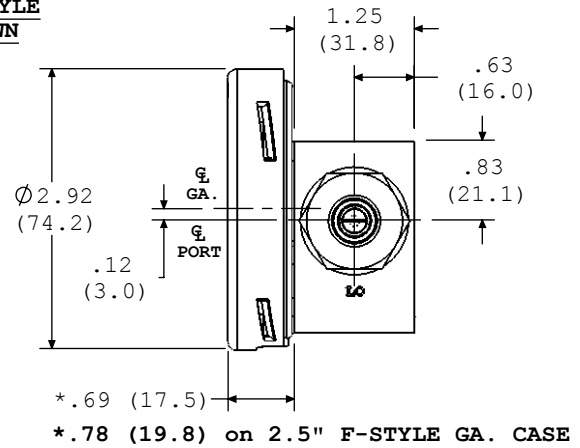
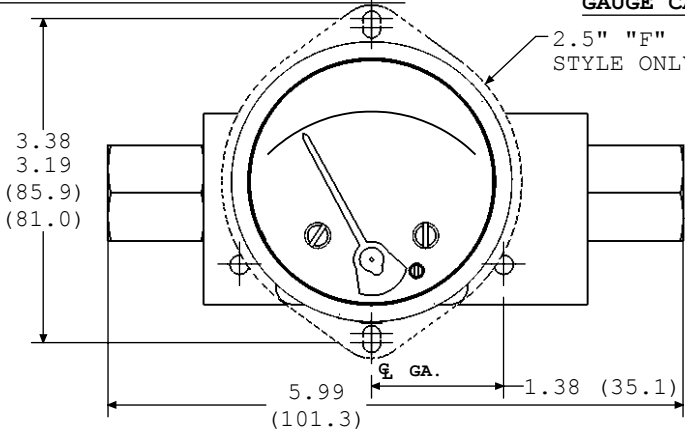
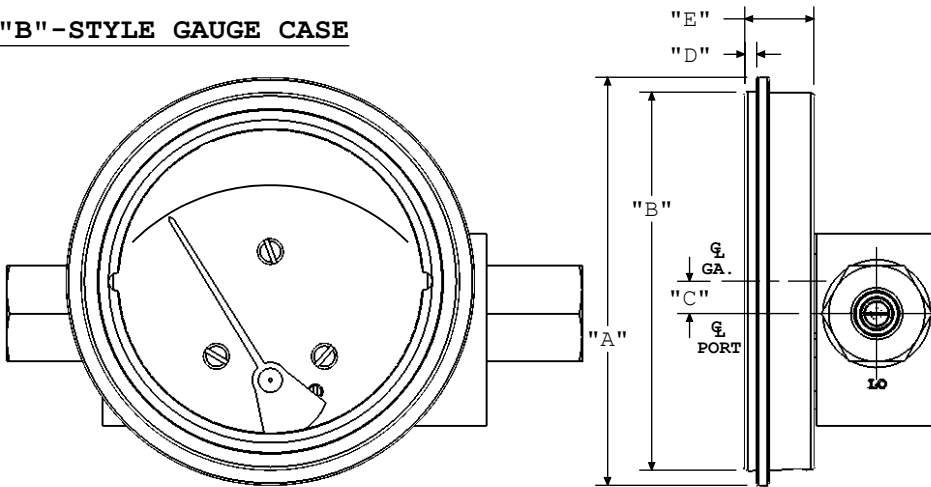


GAUGE CASE STYLES

**2.5" "F" & "B" STYLE
GAUGE CASES SHOWN**



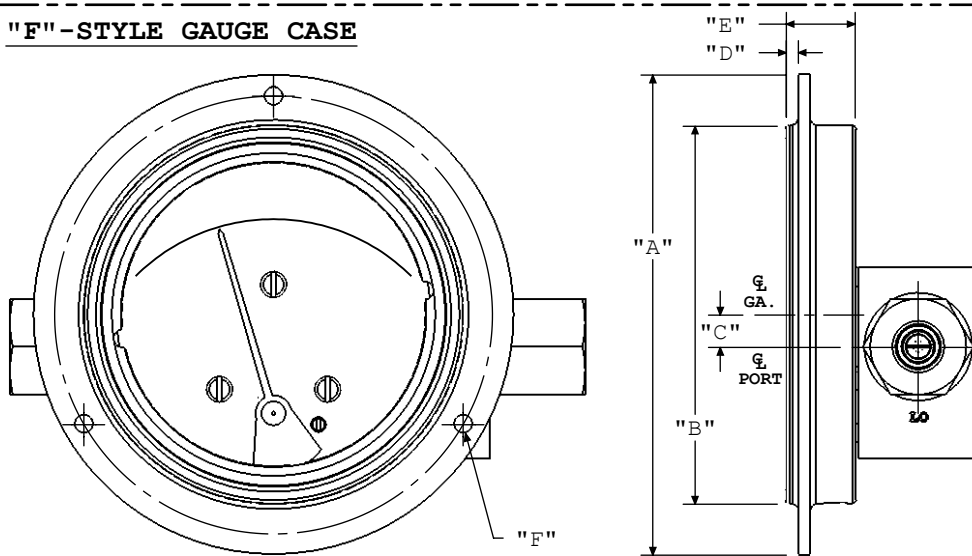
"B"-STYLE GAUGE CASE



Gauge Case Size's and Dimensions			
	3.5"	4.5"	6"
A	4.25 (108)	5.25 (133.4)	6.68 (169.7)
B	3.94 (100.1)	4.94 (125.5)	6.44 (163.6)
C	.34 (8.6)	.71 (18)	1.43 (36.3)
D	.13 (3.3)	.13 (3.3)	.13 (3.3)
E	.72 (18.3)	.72 (18.3)	.75 (19.1)

DIMS IN PARENTHESIS ARE IN MILLIMETERS

"F"-STYLE GAUGE CASE



Gauge Case Size's and Dimensions			
	3.5"	4.5"	6"
A	5.00 (127)	6.00 (152.4)	7.62 (193.5)
B	3.94 (100.1)	4.94 (125.5)	6.44 (163.6)
C	.34 (8.6)	.71 (18)	1.43 (36.3)
D	.13 (3.3)	.13 (3.3)	.13 (3.3)
E	.72 (18.3)	.72 (18.3)	.75 (19.1)
F	PANEL CUTOUT: 4.00 DIA, (3) .187 DIA. MNTG. HOLES EQ. SPACED ON A 4.56 DIA. B.C.	PANEL CUTOUT: 5.00 DIA, (3) .187 DIA. MNTG. HOLES EQ. SPACED ON A 5.38 DIA. B.C.	PANEL CUTOUT: 6.50 DIA, (3) .187 DIA. MNTG. HOLES EQ. SPACED ON A 7.00 DIA. B.C.

DIMS IN PARENTHESIS ARE IN MILLIMETERS

BACK VIEW SHOWN WITHOUT GAUGE CASE

