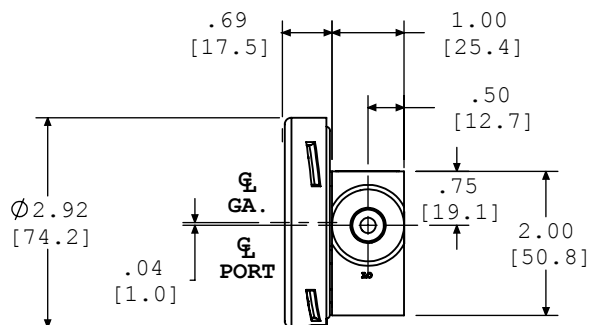
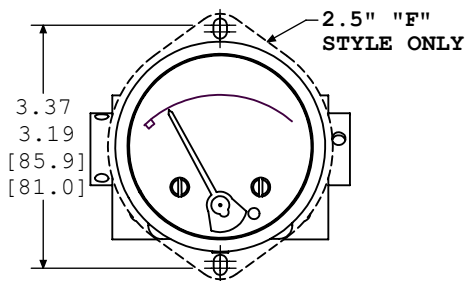
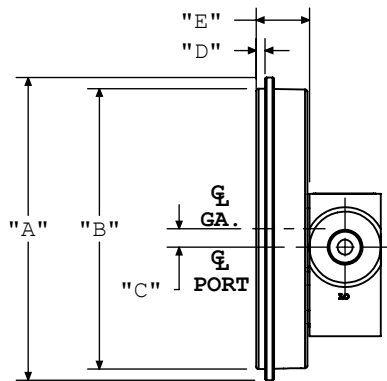
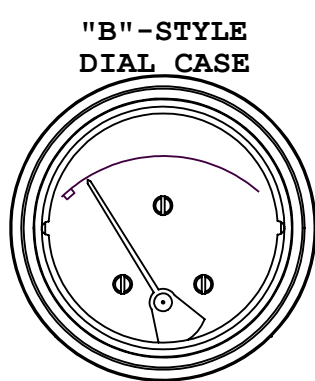


### DIAL CASE STYLES

2.5" B & F STYLE  
DIAL CASE



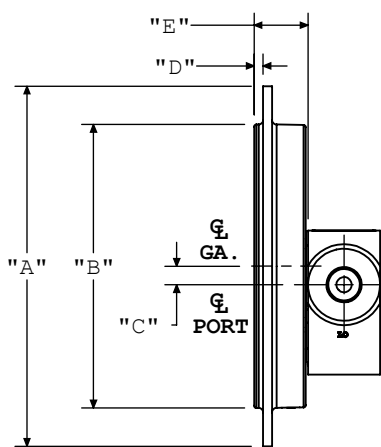
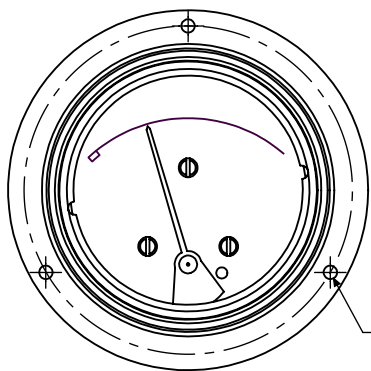
"B"-STYLE  
DIAL CASE



DIAL CASE SIZES & DIMENSIONS

|   | 3.5"        | 4.5"        | 6.0"        |
|---|-------------|-------------|-------------|
| A | 4.25[108.0] | 5.25[133.4] | 6.68[169.7] |
| B | 3.94[100.1] | 4.94[125.5] | 6.44[163.6] |
| C | .25[6.4]    | .62[15.7]   | 1.35[34.3]  |
| D | .13[3.3]    | .13[3.3]    | .13[3.3]    |
| E | .72[18.3]   | .72[18.3]   | .75[19.1]   |

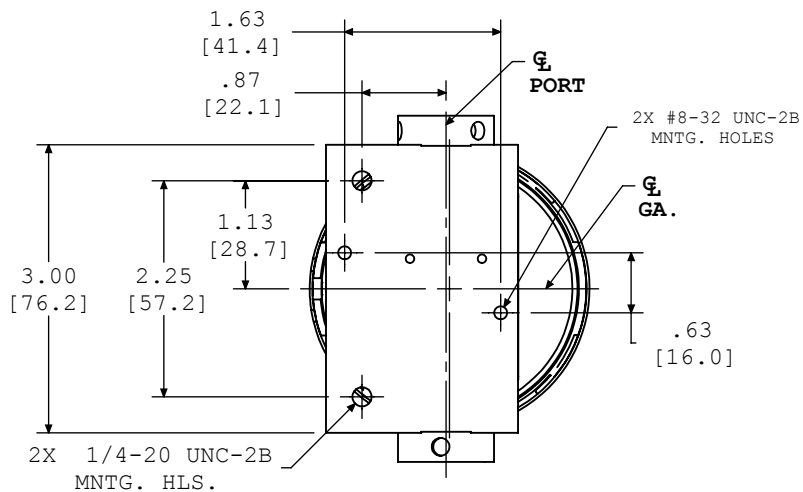
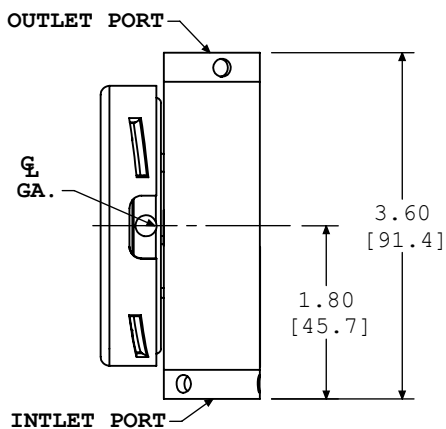
"F"-STYLE  
DIAL CASE

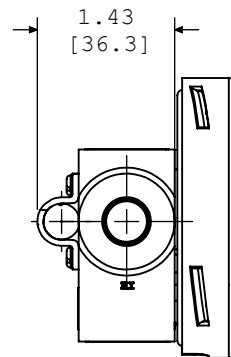
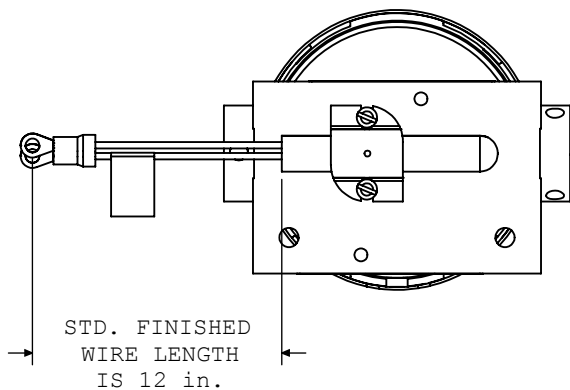


DIAL CASE SIZES & DIMENSIONS

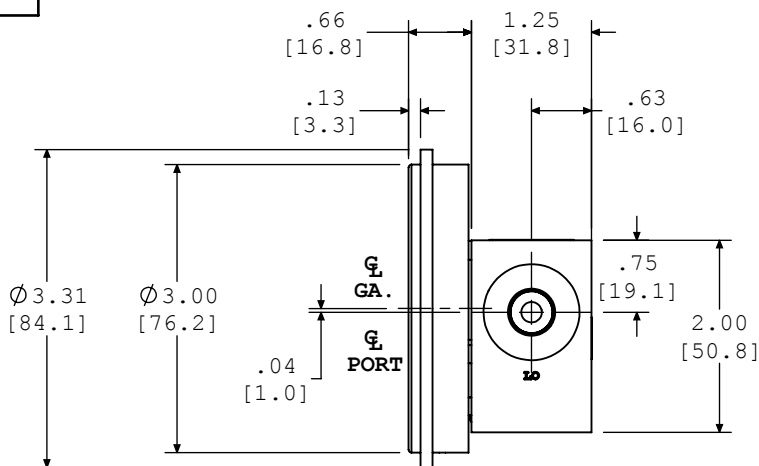
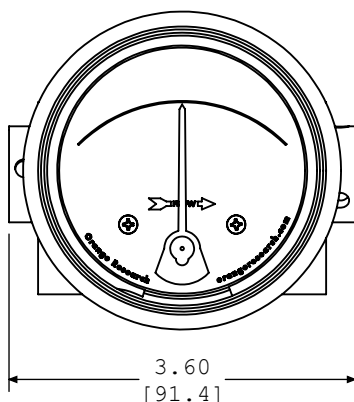
|   | 3.5"  | 4.5"  | 6.0"  |
|---|---|---|---|
| A | 5.00[127.0]   | 6.00[152.4]   | 7.62[193.5]   |
| B | 3.94[100.1]   | 4.94[125.5]   | 6.44[163.6]   |
| C | .38[9.7]  | .75[19.1]   | 1.48[37.6]  |
| D | .13[3.3]  | .13[3.3]  | .13[3.3]  |
| E | .72[18.3]   | .72[18.3]   | .75[19.1]   |
| F | PANEL CUTOUT:<br>Ø 4.00<br>3 MTG. HOLES<br>Ø .187 EQUALLY<br>SPACED ON A<br>Ø 4.56 B.C. | PANEL CUTOUT:<br>Ø 5.00<br>3 MTG. HOLES<br>Ø .218 EQUALLY<br>SPACED ON A<br>Ø 5.38 B.C. | PANEL CUTOUT:<br>Ø 6.50<br>3 MTG. HOLES<br>Ø .218 EQUALLY<br>SPACED ON A<br>Ø 7.00 B.C. |

### PORTING LOCATIONS





MODEL 2221FG-1D-2.5M (1/4" NPT)



MODEL 2221FGS-1D-2.5M-( ) (1/4" NPT)

