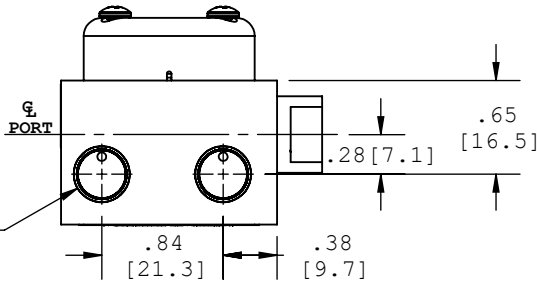
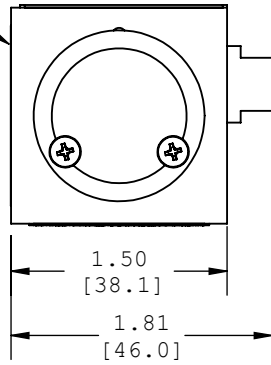


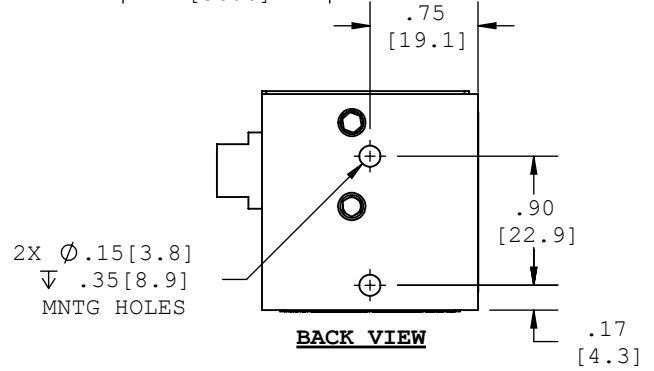
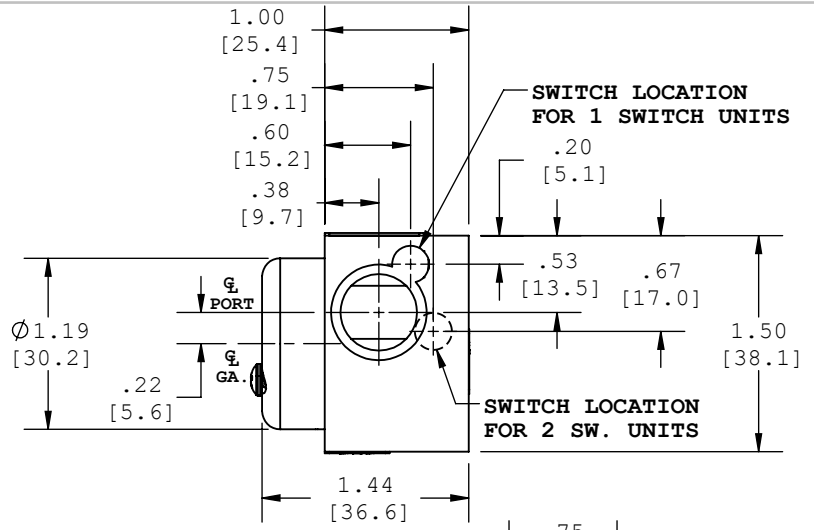
1002PI-5D-1M (no switch)
 1002PIS-5D-1M-() (1 switch)
 1002PIS-5D-1M-()-() (2 switch)
 PVC

WIRES TO
 EXTRUDE FROM
 THIS SIDE
 OF THE UNIT.

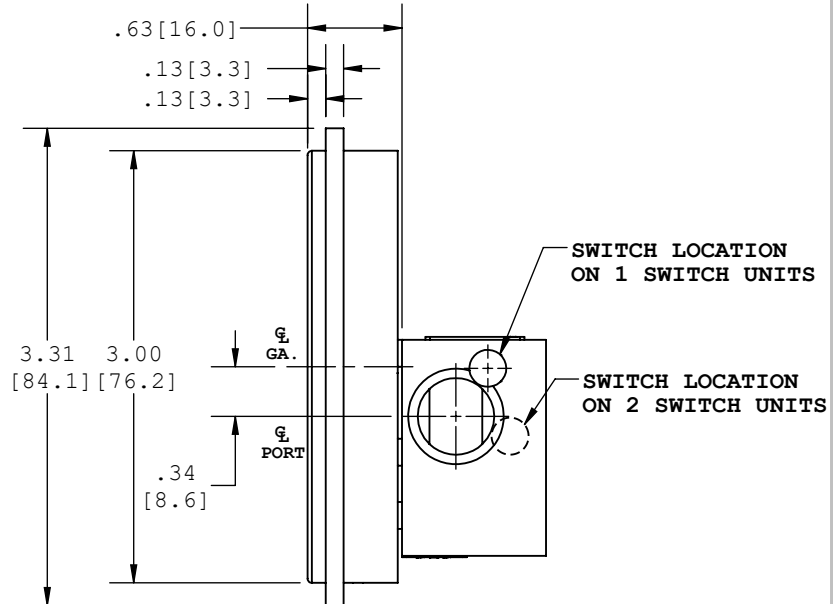
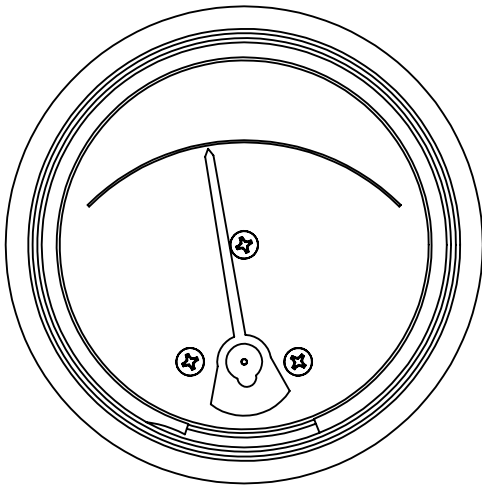
*SWITCHES NOT SHOWN
 IN THIS VIEW



1/8" NPT
 (2) PLCS.



1002PI-5D-2.5M (no switch)
 1002PI-5D-2.5M-() (1 switch)
 1002PIS-5D-2.5M-()-() (2 switch)
 PVC



NOTE:
 THIS MODEL HAS THE SAME BACK
 MNTG. HOLES & BOTTOM PORTING
 DETAILS AS THE ABOVE UNIT.

NOTE: DIMENSIONS IN BRACKETS ARE IN MILLIMETERS

SHT. 1 of 1 Rev.C

SCALE 3/4"=1