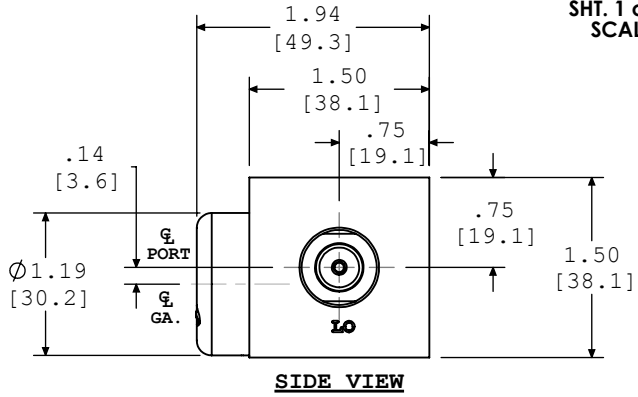
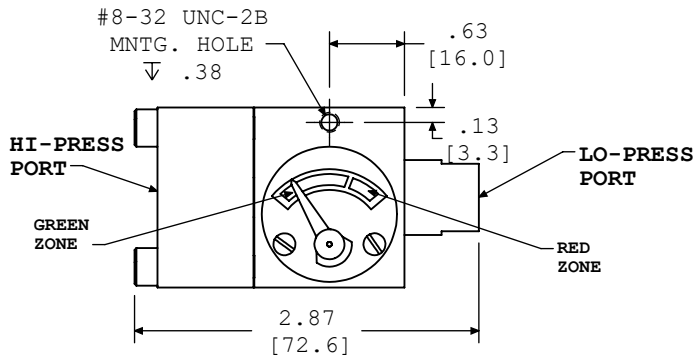
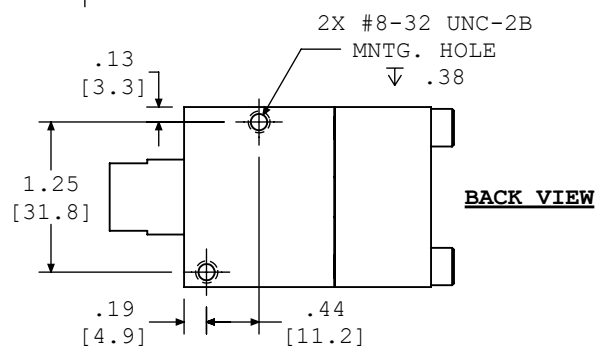


**MODEL 1020DI-1 ( )-1M - 1/8" NPT**



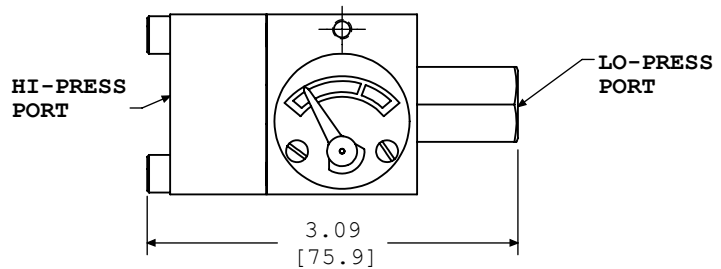
**FRONT VIEW**

**SIDE VIEW**

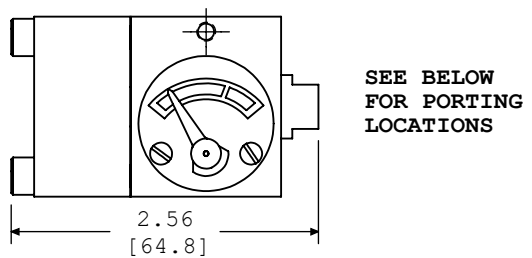


**BACK VIEW**

**MODEL 1020DI-2 ( )-1M - 1/4" NPT**



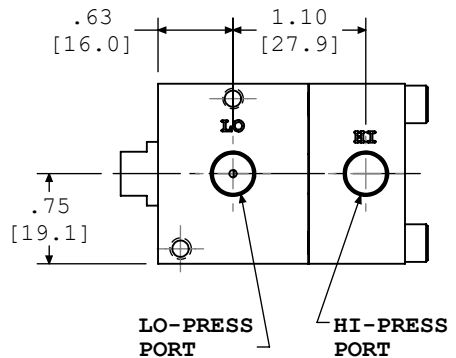
**MODEL 1020DI-4 ( )-1M & 1020DI-5 ( )-1M - 1/8" NPT**



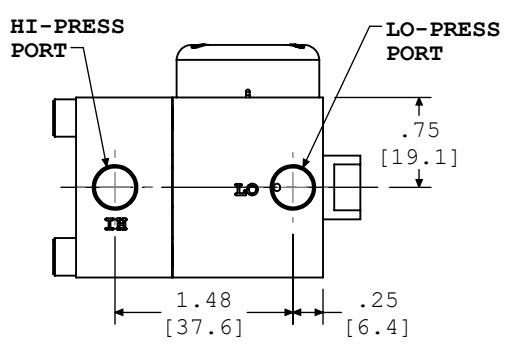
SEE BELOW  
FOR PORTING  
LOCATIONS

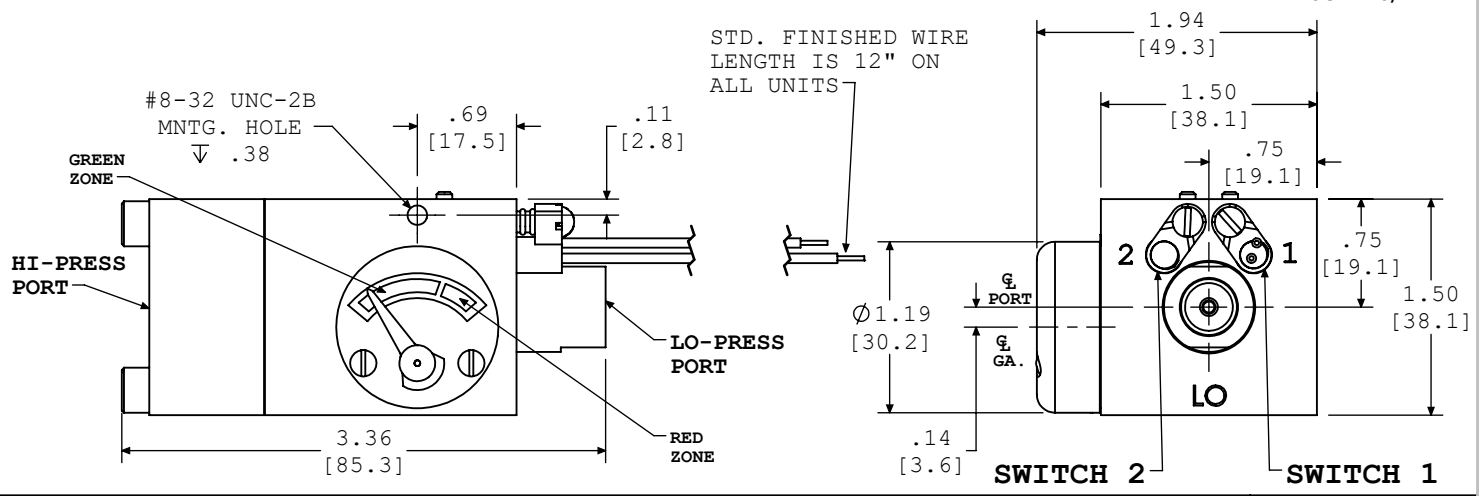
**PORTING LOCATIONS**

**-4 ( ) BACK PORTING**

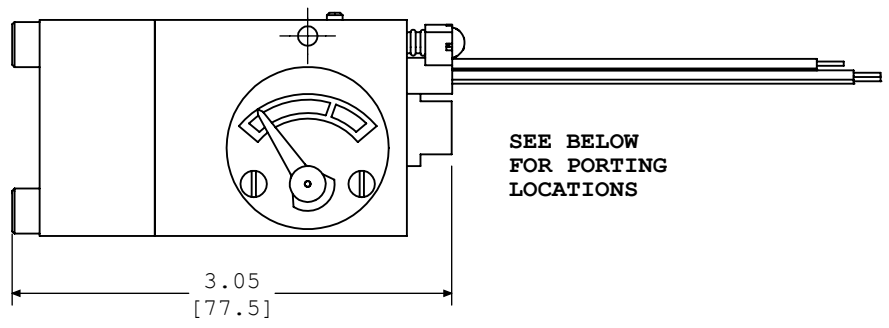


**-5 ( ) BOTTOM PORTING**



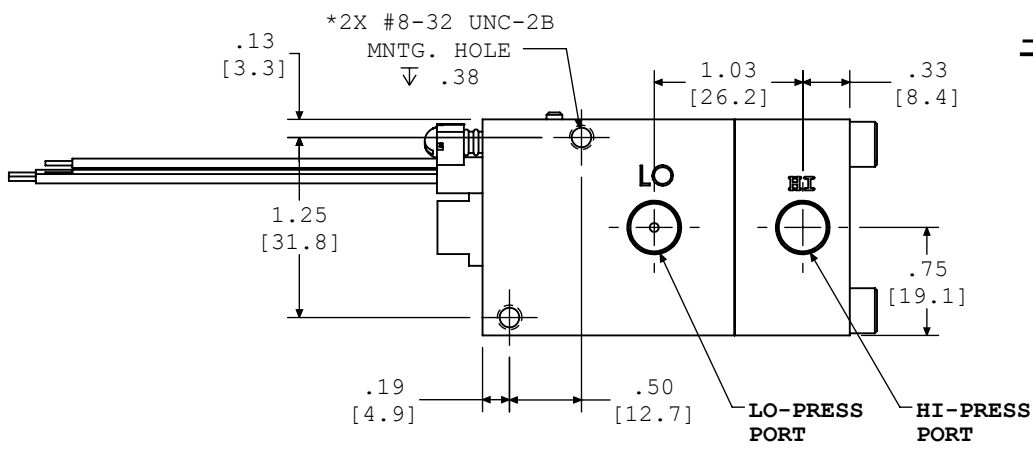


MODEL 1020DIS-4( )-1M-( )-( ) & 1020DIS-5( )-1M-( )-( ) - 1/8" NPT

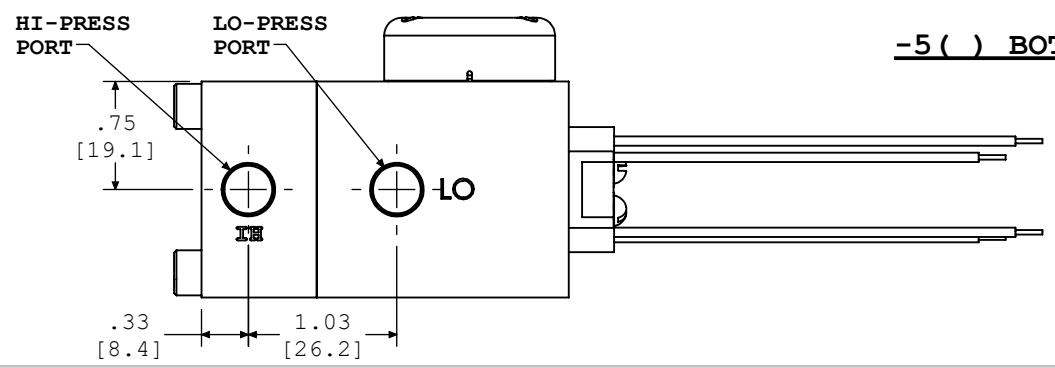


**PORTING LOCATIONS**

\* #8-32 MNTG. HOLE LOCATION IS THE SAME ON ALL UNITS

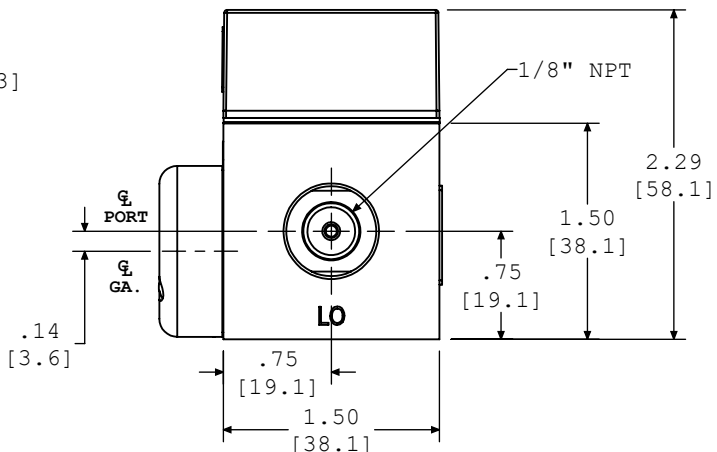
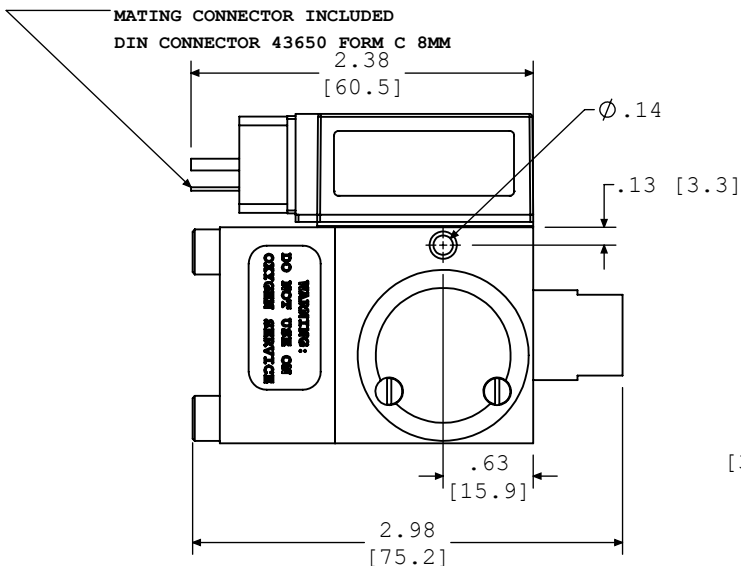


**-4( ) BACK PORTING**

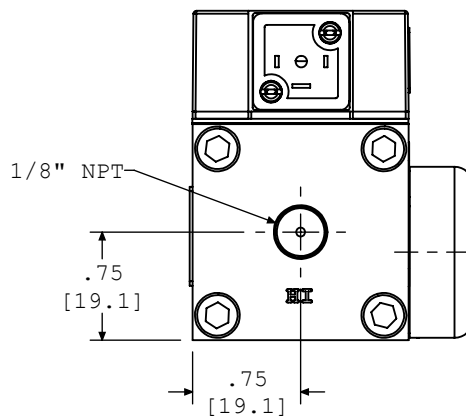
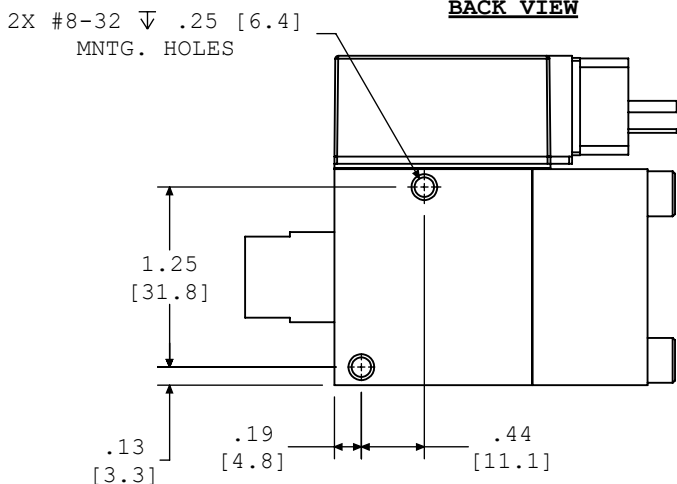


**-5( ) BOTTOM PORTING**

1020DIT-1A-1M-T3

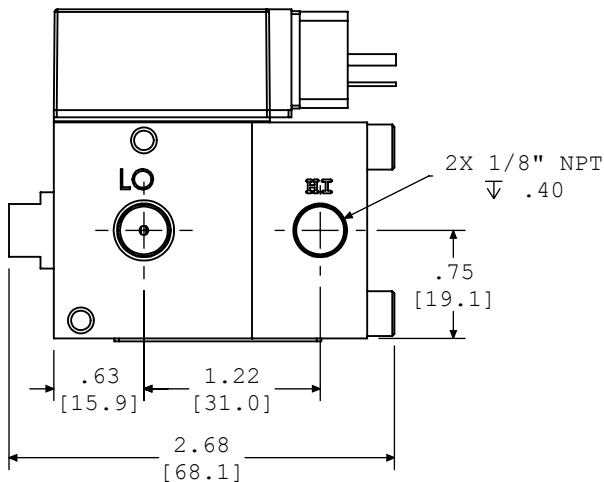


BACK VIEW



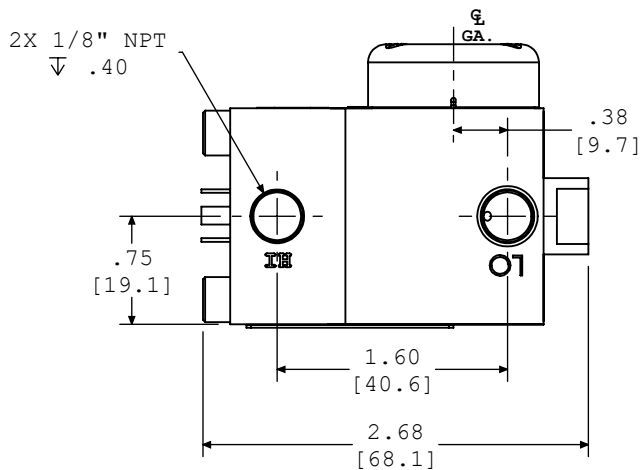
1020DIT-4A-1M-T3

BACK VIEW



1020DIT-5A-1M-T3

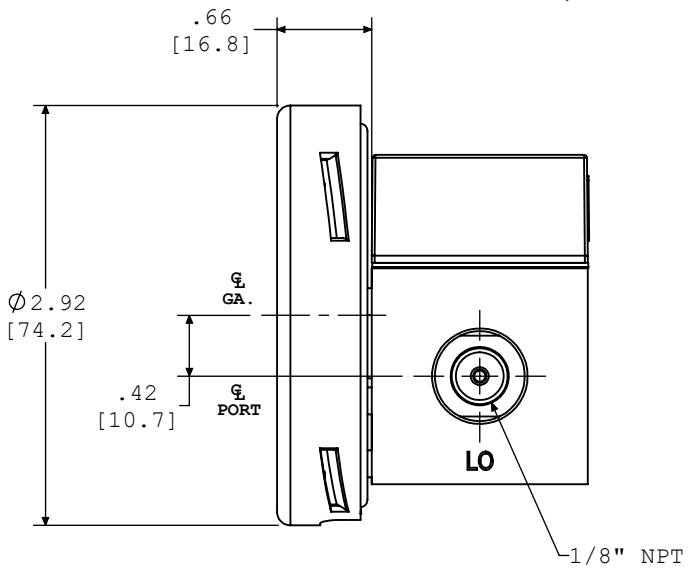
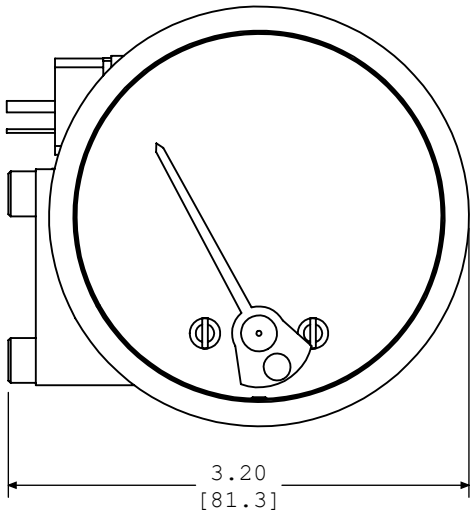
BOTTOM VIEW



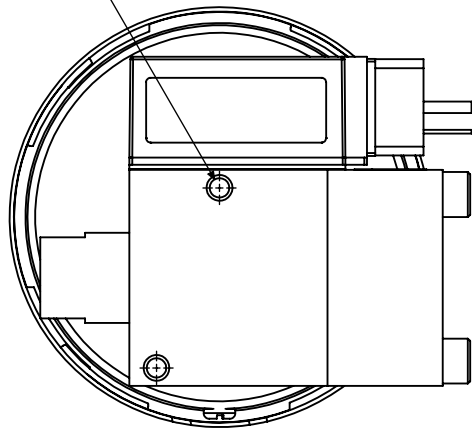
**1020 TRANSMITTER SERIES - 1/8" NPT**

SHT. 4 of 4 Rev.C  
SCALE: 3/4"=1

**1020DIT-1A-2.5B-T3**

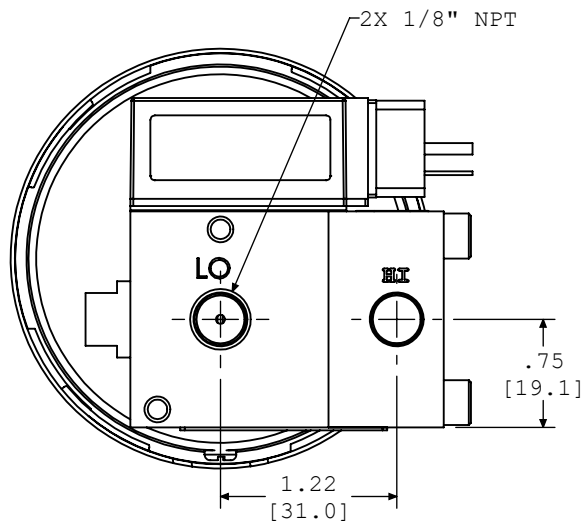


2X #8-32 MNTG. HOLES



**1020DIT-4A-2.5B-T3**

**BACK VIEW**



**1020DIT-5A-2.5B-T3**

**BOTTOM VIEW**

