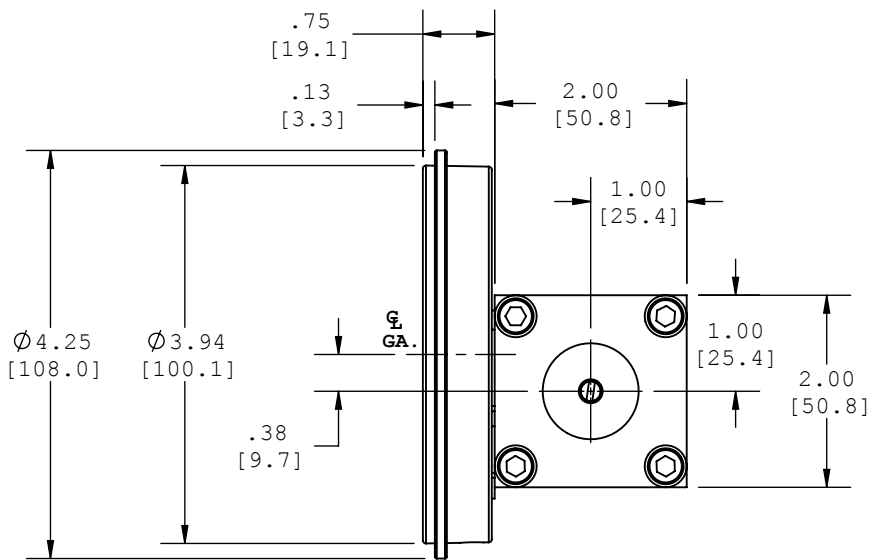
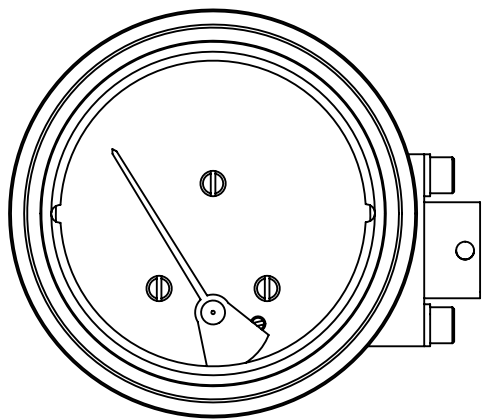


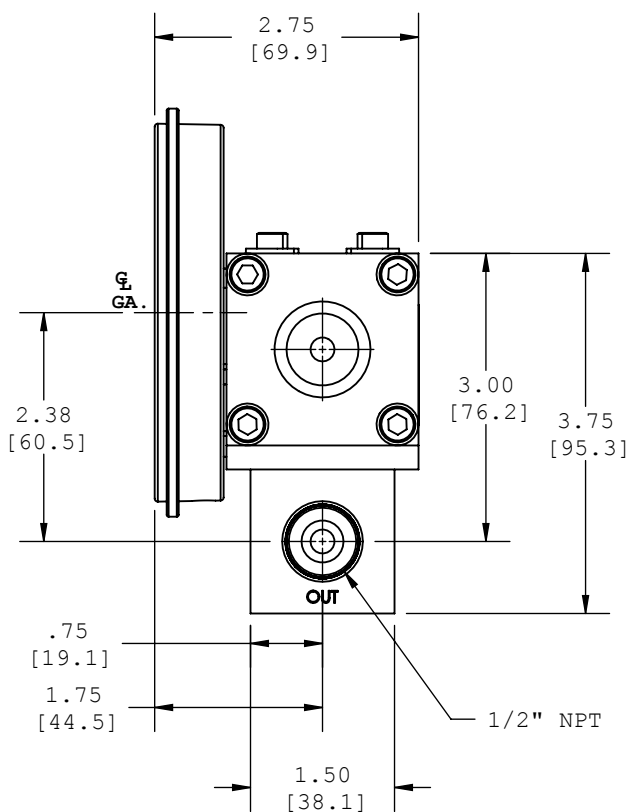
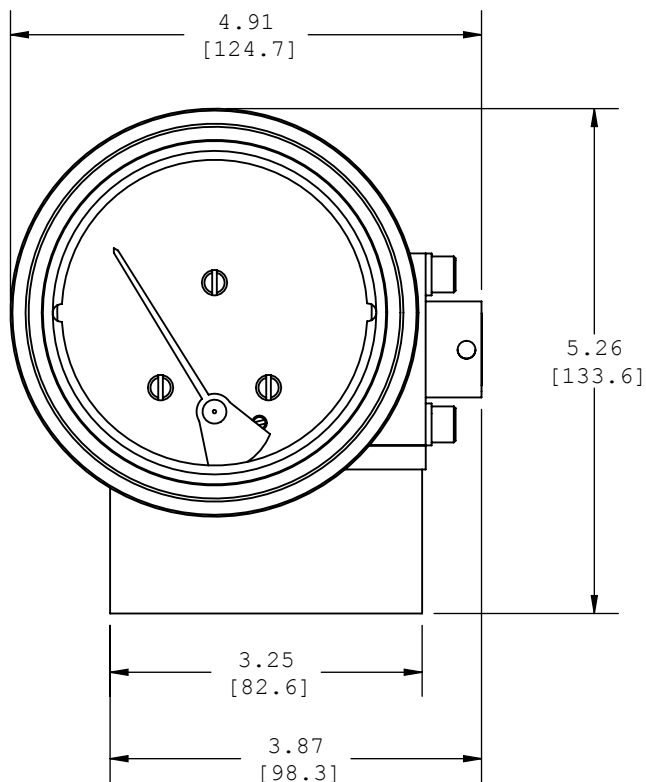
2500FG Series, DP Flow

**DIFFERENTIAL PRESSURE GAUGE
with FLOW SCALE**

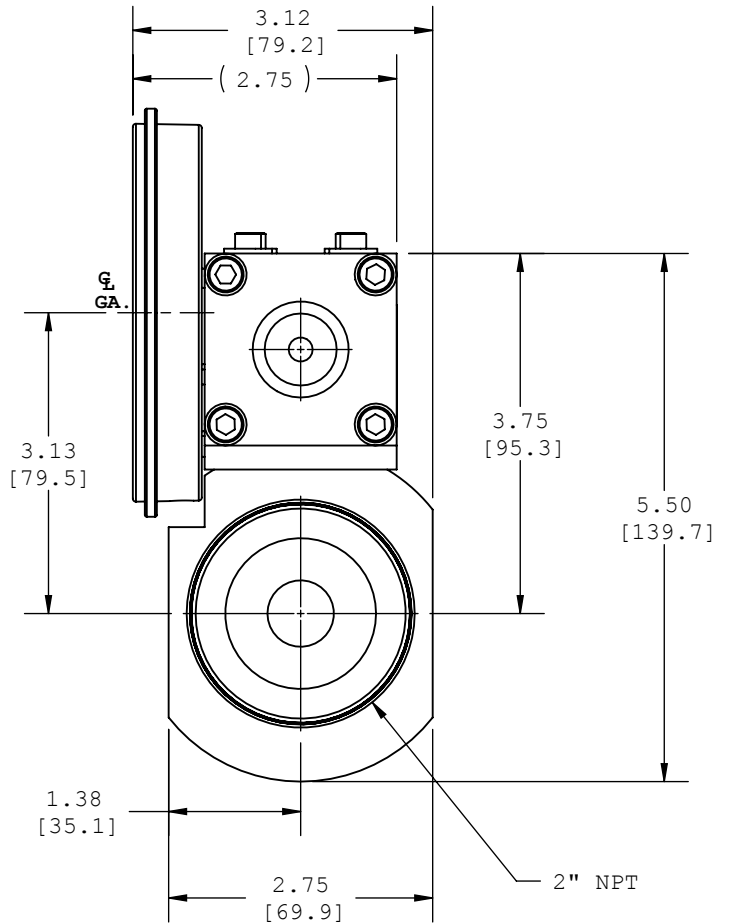
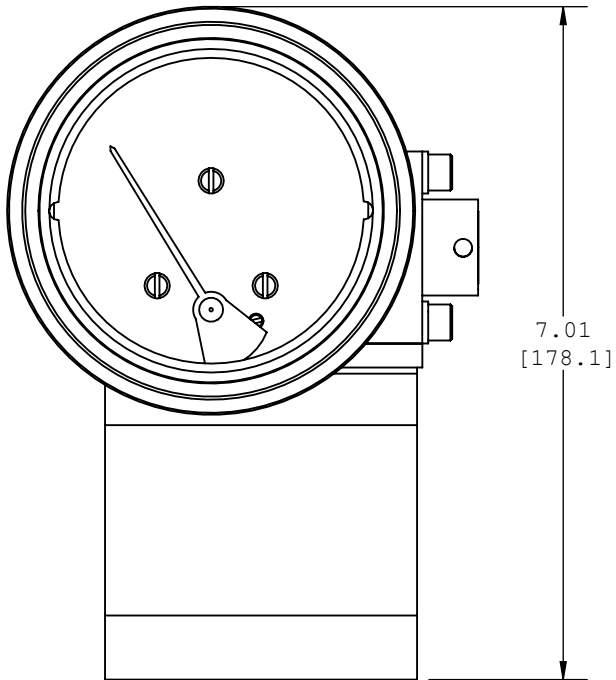
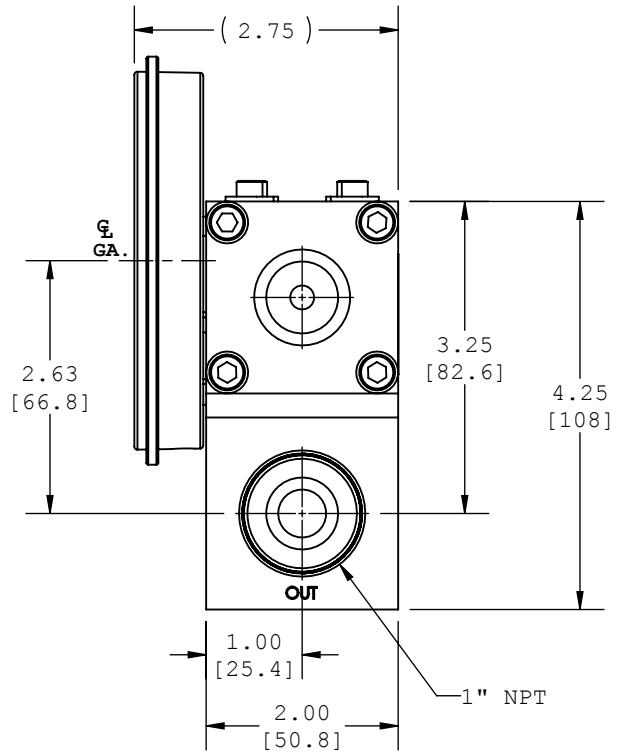
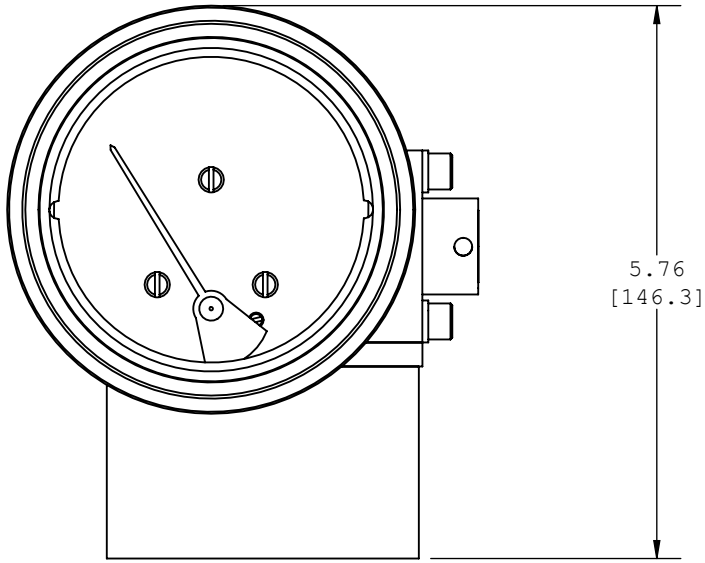
**SHT. 1 of 2 Rev.A
SCALE 1/2"=1**



2510FG-1 (1/2" NPT)



NOTE: DIMENSIONS IN BRACKETS ARE IN MILLIMETERS



NOTE: DIMENSIONS IN BRACKETS ARE IN MILLIMETERS