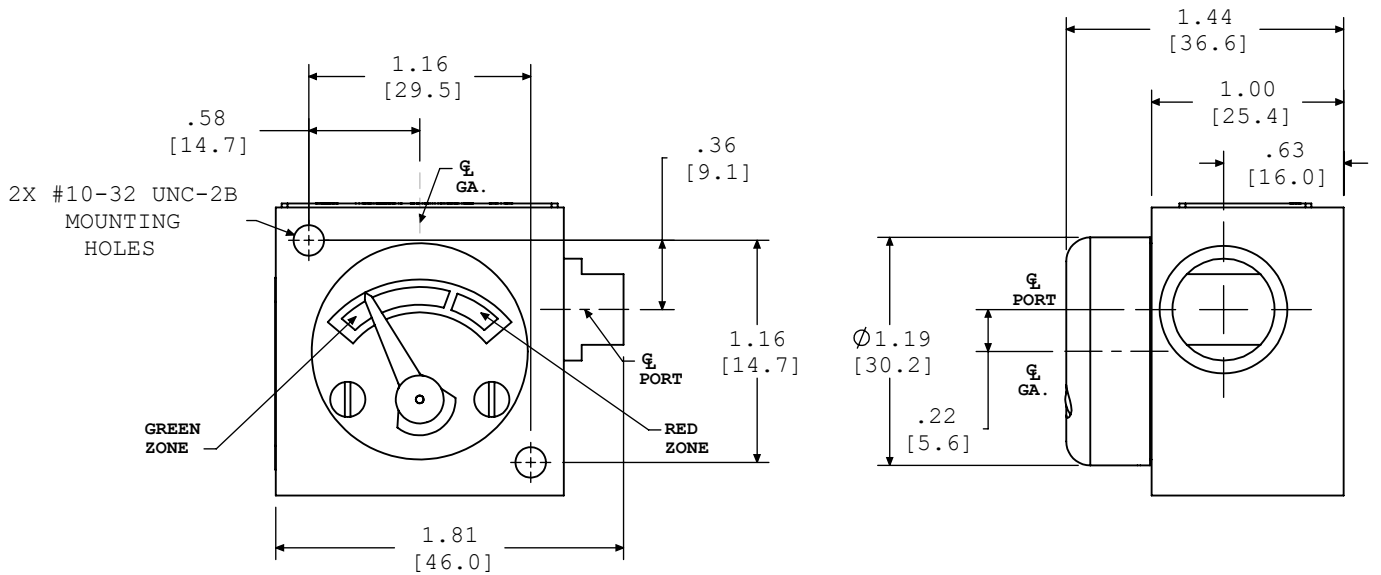
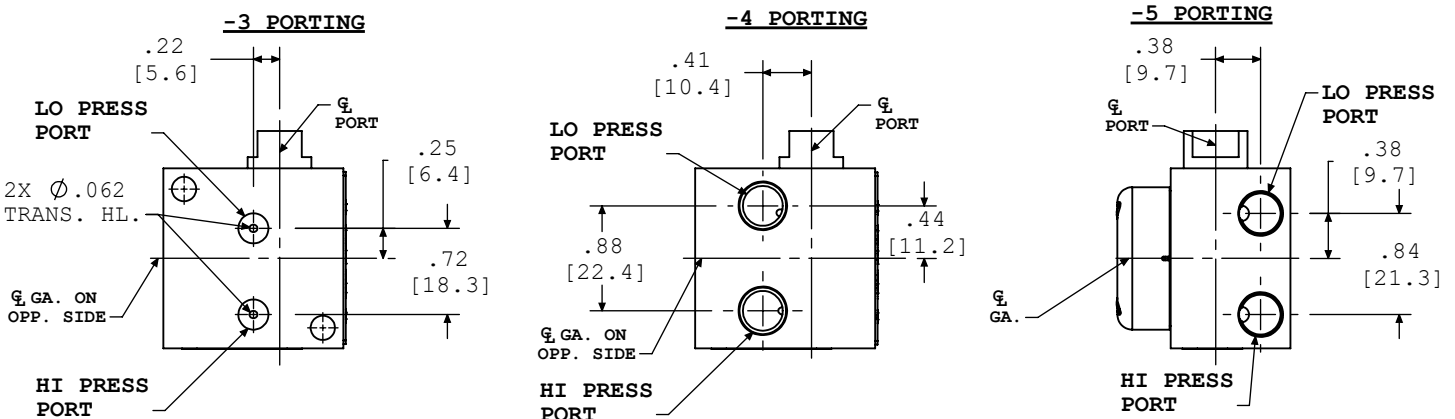


MODEL 1002PI-4()-1M & 1002PI-5()-1M 1/8" NPT

1:1 SCALE



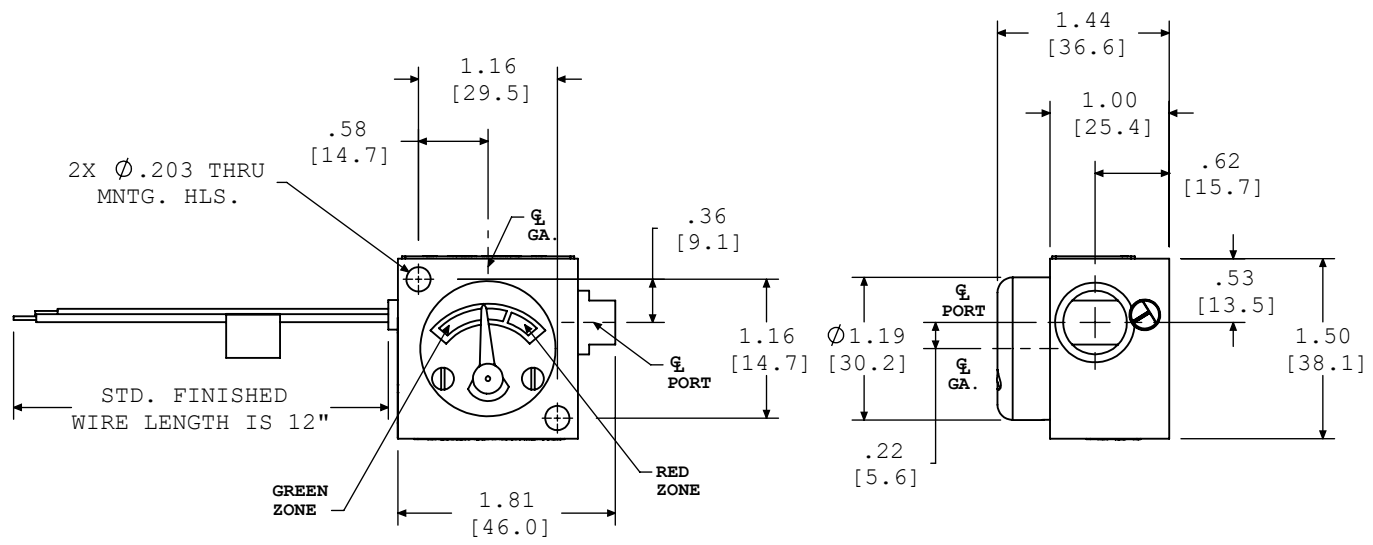
PORTING LOCATIONS 5/8" SCALE



MODELS 1002PIS-3()-1M-()-()
 1002PIS-4()-1M-()-()
 1002PIS-5()-1M-()-()

SCALE 5/8"=1

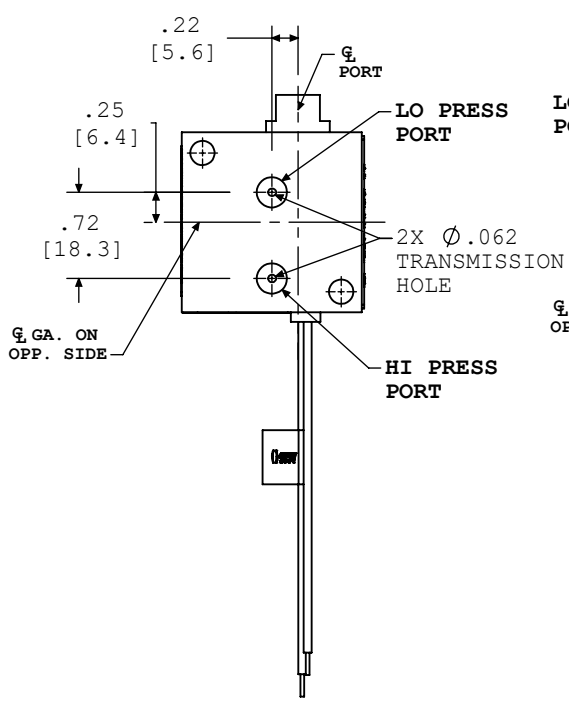
SHT. 2 of 5 REV. E



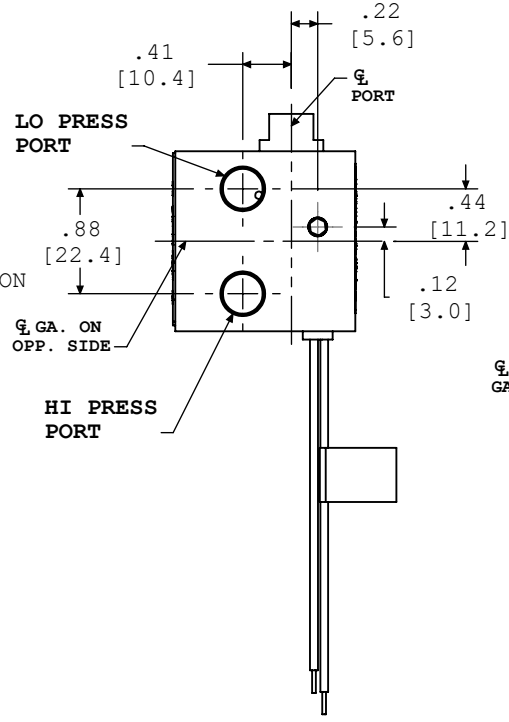
1 SWITCH SHOWN
 (ALSO AVAILABLE IN 2 SWITCH)

PORTING LOCATIONS 5/8" SCALE

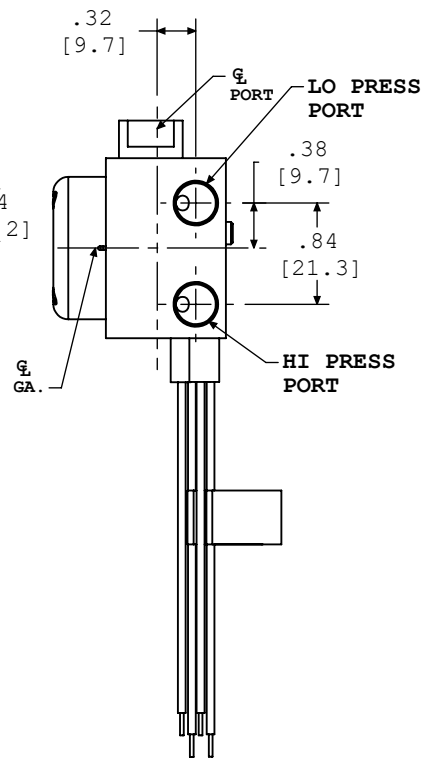
-3 PORTING (MANIF. MNTG. BACK)

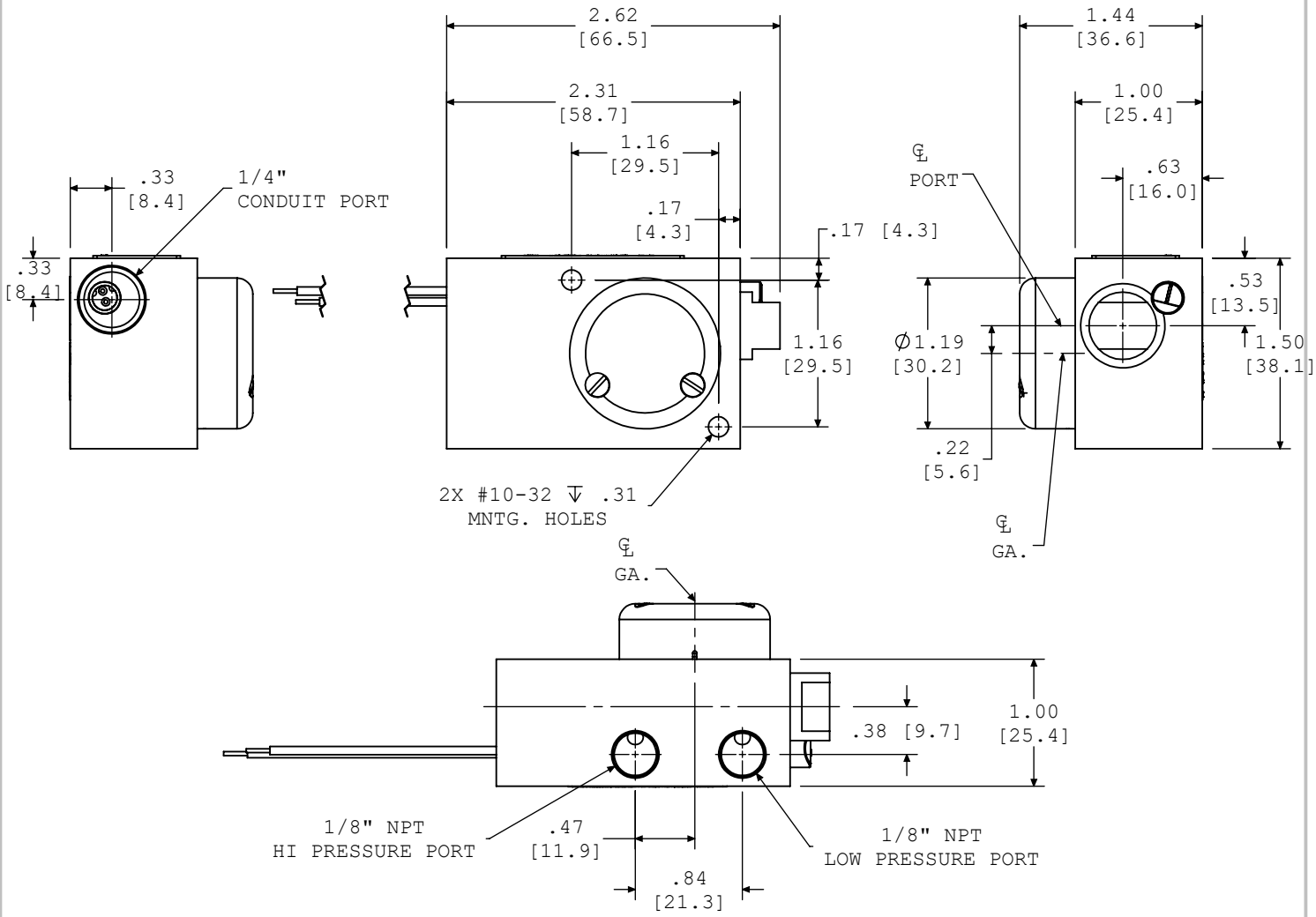


-4 PORTING (1/8" NPT)



-5 PORTING (1/8" NPT)

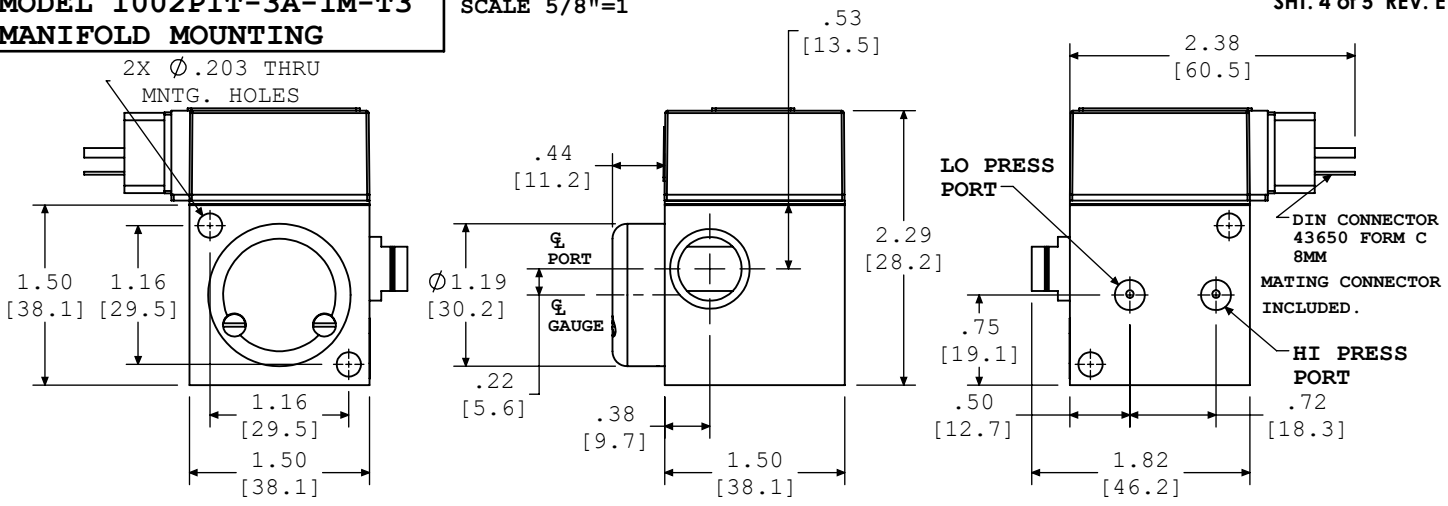




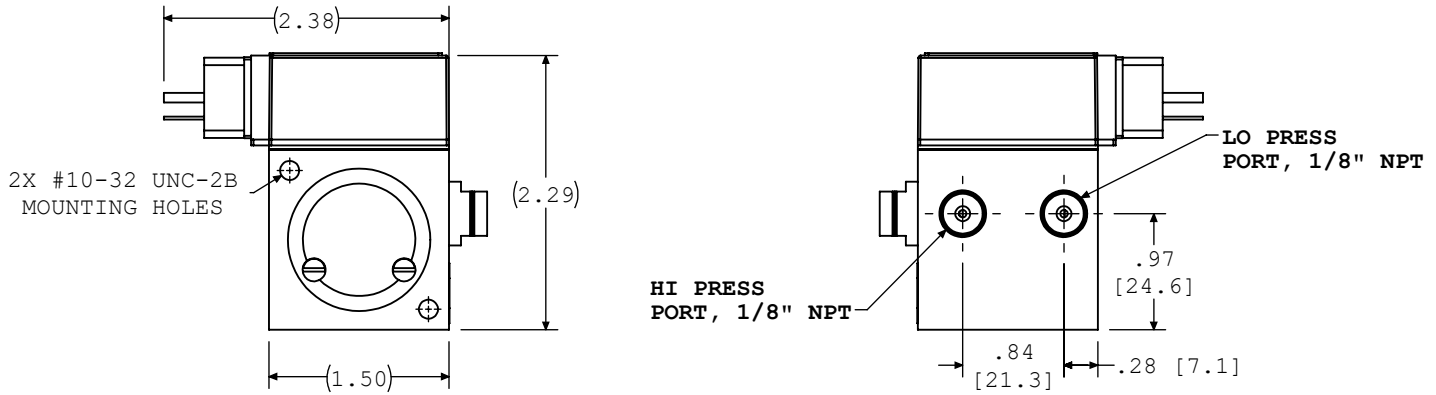
**MODEL 1002PIT-3A-1M-T3
MANIFOLD MOUNTING**

SCALE 5/8"=1

SHT. 4 of 5 REV. E



**MODEL 1002PIT-4A-1M-T3
1/8" NPT, BACK PORTING**



**MODEL 1002PIT-5A-1M-T3
1/8" NPT, BOTTOM PORTING**

