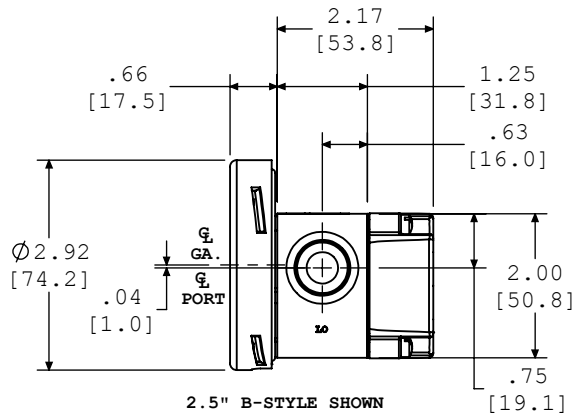
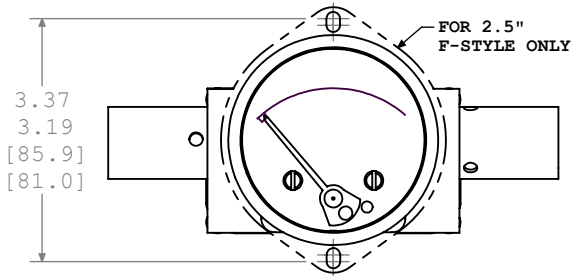


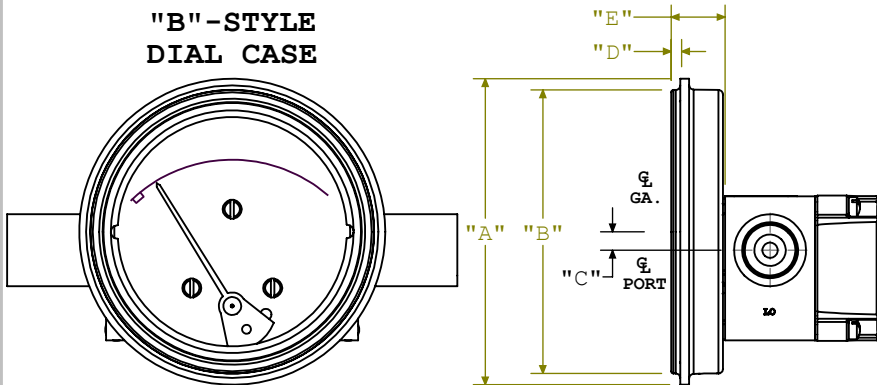
## DIAL CASE STYLES

### 2.5" "B" & 2.5" "F" STYLE DIAL CASE



2.5" B-STYLE SHOWN

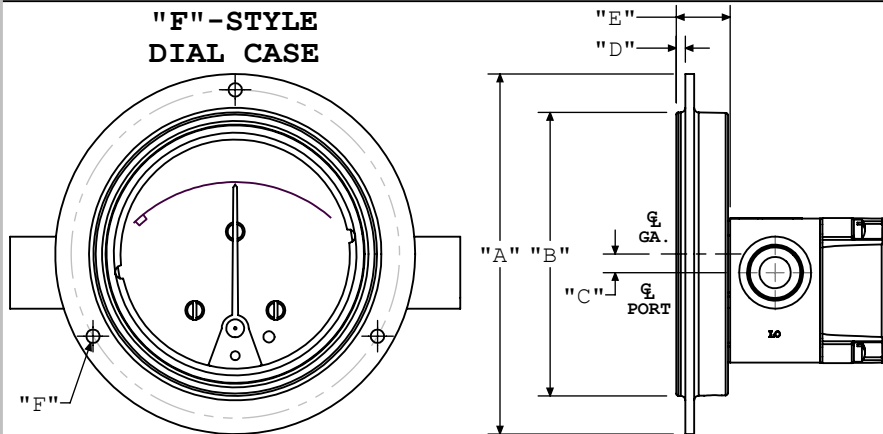
### "B"-STYLE DIAL CASE



B-STYLE GA. CASE DIMENSIONS

|   | 3 1/2"       | 4 1/2"       | 6.0"         |
|---|--------------|--------------|--------------|
| A | 4.25 [108]   | 5.25 [133.4] | 6.68 [169.7] |
| B | 3.94 [100.1] | 4.94 [125.5] | 6.44 [163.6] |
| C | .25 [6.4]    | .62 [15.7]   | 1.35 [34.3]  |
| D |              | .13 [3.3]    |              |
| E | .72 [18.3]   | .72 [18.3]   | .75 [19.1]   |

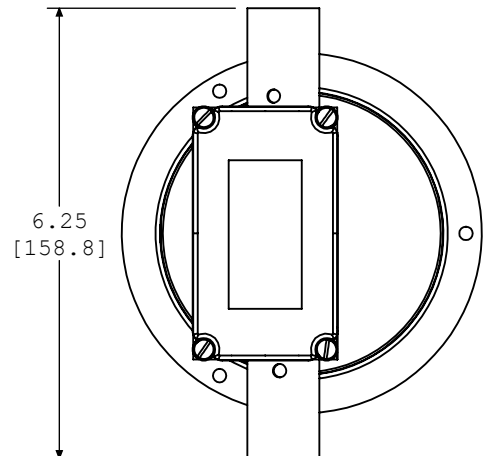
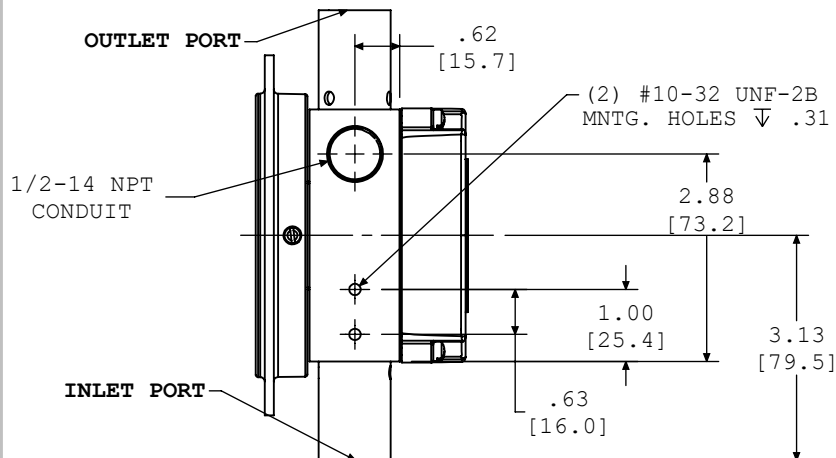
### "F"-STYLE DIAL CASE

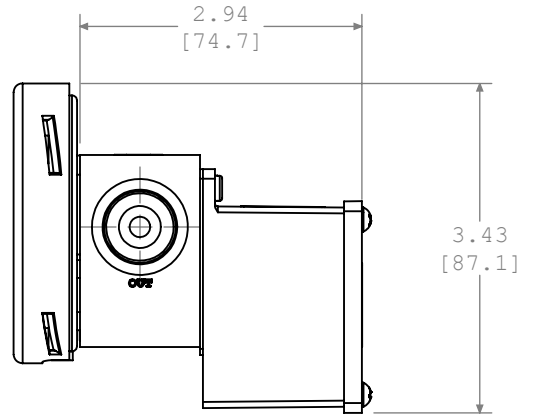
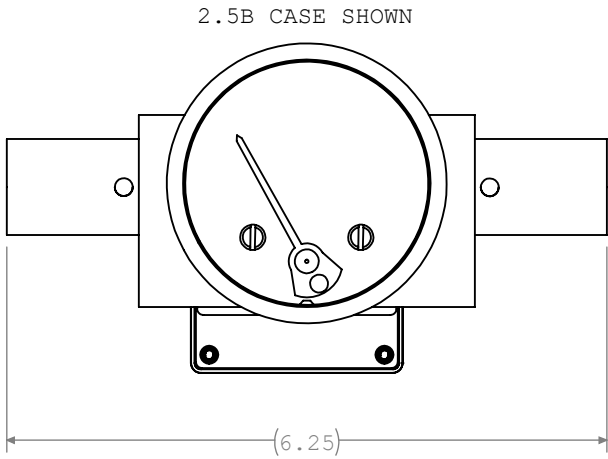


F-STYLE GA. CASE DIMENSIONS

|   | 3 1/2"  | 4 1/2"  | 6.0"  |
|---|---|---|---|
| A | 5.00 [127]  | 6.00 [152.4]  | 6.68 [169.5]  |
| B | 3.94 [100.1]  | 4.94 [125.5]  | 6.44 [163.6]  |
| C | .25 [6.4]   | .62 [15.7]  | 1.35 [34.3]   |
| D |   | .13 [3.3]   |   |
| E | .72 [8.3]   | .72 [8.3]   | .75 [19.1]  |
| F | PANEL CUTOUT:<br>Ø4.00, 3<br>MNTG. HOLES<br>Ø.187<br>EQUALLY<br>SPACED ON A<br>Ø4.56 B.C. | PANEL CUTOUT:<br>Ø5.00, 3<br>MNTG. HOLES<br>Ø.218<br>EQUALLY<br>SPACED ON A<br>Ø5.38 B.C. | PANEL CUTOUT:<br>Ø6.50, 3<br>MNTG. HOLES<br>Ø.218<br>EQUALLY<br>SPACED ON A<br>Ø7.00 B.C. |

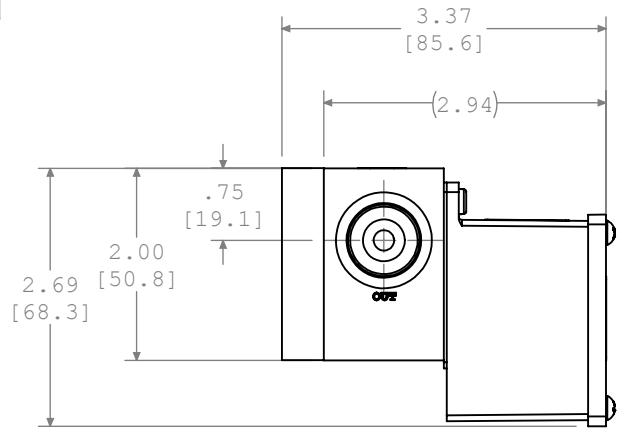
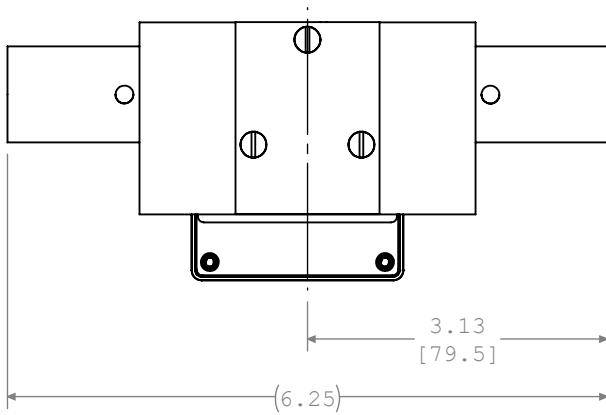
## PORTING LOCATIONS





SEE SHEET 1 FOR DIAL CASE STYLES AND DIMENSIONS.

MODEL 2323FT-1 ( ) - T2 MODEL - (1/2" NPT)



**BOTTOM VIEW**

